

▶ SCE819E5TS

EN	User Manual Fridge Freezer	2
PT	Manual de instruções Combinado	24
ES	Manual de instrucciones Frigorífico-congelador	48

USER MANUAL



AEG

CONTENTS

1. SAFETY INFORMATION.....	2
2. SAFETY INSTRUCTIONS.....	4
3. INSTALLATION.....	6
4. CONTROL PANEL.....	9
5. DAILY USE.....	12
6. HINTS AND TIPS.....	14
7. CARE AND CLEANING.....	17
8. TROUBLESHOOTING.....	18
9. NOISES.....	22
10. TECHNICAL DATA.....	22
11. INFORMATION FOR TEST INSTITUTES.....	22
12. ENVIRONMENTAL CONCERNS.....	23

FOR PERFECT RESULTS

Thank you for choosing this AEG product. We have created it to give you impeccable performance for many years, with innovative technologies that help make life simpler – features you might not find on ordinary appliances. Please spend a few minutes reading to get the very best from it.

Visit our website to:



Get usage advice, brochures, trouble shooter, service and repair information:
www.aeg.com/support



Register your product for better service:
www.registeraeg.com



Buy Accessories, Consumables and Original spare parts for your appliance:
www.aeg.com/shop

CUSTOMER CARE AND SERVICE

Always use original spare parts.

When contacting our Authorised Service Centre, ensure that you have the following data available: Model, PNC, Serial Number.

The information can be found on the rating plate.

Warning / Caution-Safety information

General information and tips

Environmental information

Subject to change without notice.

1. SAFETY INFORMATION

Before the installation and use of the appliance, carefully read the supplied instructions. The manufacturer is not responsible for any injuries or damage that are the result

of incorrect installation or usage. Always keep the instructions in a safe and accessible location for future reference.

1.1 Children and vulnerable people safety

- This appliance can be used by children aged from 8 years and above and persons with reduced physical, sensory or mental capabilities or lack of experience and knowledge if they have been given supervision or instruction concerning the use of the appliance in a safe way and understand the hazards involved. Children aged from 3 to 8 years and persons with very extensive and complex disabilities are allowed to load and unload the appliance provided that they have been properly instructed. Children of less than 3 years of age should be kept away from the appliance unless continuously supervised.
- Children should be supervised to ensure that they do not play with the appliance.
- Children shall not carry out cleaning and user maintenance of the appliance without supervision.
- Keep all packaging away from children and dispose of it appropriately.

1.2 General Safety

- This appliance is for storing food and beverages only.
- This appliance is designed for single household domestic use in an indoor environment.
- This appliance may be used in, offices, hotel guest rooms, bed & breakfast guest rooms, farm guest houses and other similar accommodation where such use does not exceed (average) domestic usage levels.
- To avoid contamination of food respect the following instructions:
 - do not open the door for long periods;
 - clean regularly surfaces that can come in contact with food and accessible drainage systems;

- store raw meat and fish in suitable containers in the refrigerator, so that it is not in contact with or drip onto other food.
- **WARNING:** Keep ventilation openings, in the appliance enclosure or in the built-in structure, clear of obstruction.
- **WARNING:** Do not use mechanical devices or other means to accelerate the defrosting process, other than those recommended by the manufacturer.
- **WARNING:** Do not damage the refrigerant circuit.
- **WARNING:** Do not use electrical appliances inside the food storage compartments of the appliance, unless they are of the type recommended by the manufacturer.
- Do not use water spray and steam to clean the appliance.
- Clean the appliance with a moist soft cloth. Only use neutral detergents. Do not use abrasive products, abrasive cleaning pads, solvents or metal objects.
- When the appliance is empty for long period, switch it off, defrost, clean, dry and leave the door open to prevent mould from developing within the appliance.
- Do not store explosive substances such as aerosol cans with a flammable propellant in this appliance.
- If the supply cord is damaged, it must be replaced by the manufacturer, its Authorised Service Centre or similarly qualified persons in order to avoid a hazard.

2. SAFETY INSTRUCTIONS

2.1 Installation



WARNING!

Only a qualified person must install this appliance.

- Remove all the packaging.
- Do not install or use a damaged appliance.
- Do not use the appliance before installing it in the built-in structure due to safety manner.
- Follow the installation instructions supplied with the appliance.
- Always take care when moving the appliance as it is heavy. Always use safety gloves and enclosed footwear.
- Make sure the air can circulate around the appliance.
- At first installation or after reversing the door wait at least 4 hours before connecting the appliance to the power supply. This is to allow the oil to flow back in the compressor.

- Before carrying out any operations on the appliance (e.g. reversing the door), remove the plug from the power socket.
- Do not install the appliance close to radiators or cookers, ovens, or hobs, unless otherwise specified in the installation instructions.
- Do not expose the appliance to the rain.
- Do not install the appliance where there is direct sunlight.
- Do not install this appliance in areas that are too humid or too cold.
- When you move the appliance, lift it by the front edge to avoid scratching the floor.
- The appliance contains a bag of desiccant. This is not a toy. This is not food. Please dispose of it immediately.

2.2 Electrical connection



WARNING!
Risk of fire and electric shock.



WARNING!
When positioning the appliance, ensure the supply cord is not trapped or damaged.



WARNING!
Do not use multi-plug adapters and extension cables.

- The appliance must be earthed.
- Make sure that the parameters on the rating plate are compatible with the electrical ratings of the mains power supply.
- Always use a correctly installed shockproof socket.
- Make sure not to cause damage to the electrical components (e.g. mains plug, mains cable, compressor). Contact the Authorised Service Centre or an electrician to change the electrical components.
- The mains cable must stay below the level of the mains plug.
- Connect the mains plug to the mains socket only at the end of the

installation. Make sure that there is access to the mains plug after the installation.

- Do not pull the mains cable to disconnect the appliance. Always pull the mains plug.

2.3 Use



WARNING!
Risk of injury, burns, electric shock or fire.



The appliance contains flammable gas, isobutane (R600a), a natural gas with a high level of environmental compatibility. Be careful not to cause damage to the refrigerant circuit containing isobutane.

- Do not change the specification of this appliance.
- Any use of the built-in product as free-standing is strictly prohibited.
- Do not put electrical appliances (e.g. ice cream makers) in the appliance unless they are stated applicable by the manufacturer.
- If damage occurs to the refrigerant circuit, make sure that there are no flames and sources of ignition in the room. Ventilate the room.
- Do not let hot items to touch the plastic parts of the appliance.
- Do not put soft drinks in the freezer compartment. This will create pressure on the drink container.
- Do not store flammable gas and liquid in the appliance.
- Do not put flammable products or items that are wet with flammable products in, near or on the appliance.
- Do not touch the compressor or the condenser. They are hot.
- Do not remove or touch items from the freezer compartment if your hands are wet or damp.
- Do not freeze again food that has been thawed.
- Follow the storage instructions on the packaging of frozen food.
- Wrap the food in any food contact material before putting it in the freezer compartment.

- Do not allow food to come in contact with the inner walls of the appliance compartments.

2.4 Internal lighting



WARNING!
Risk of electric shock.

- This product contains one or more light sources of energy efficiency class F.
- Concerning the lamp(s) inside this product and spare part lamps sold separately: These lamps are intended to withstand extreme physical conditions in household appliances, such as temperature, vibration, humidity, or are intended to signal information about the operational status of the appliance. They are not intended to be used in other applications and are not suitable for household room illumination.

2.5 Care and cleaning



WARNING!
Risk of injury or damage to the appliance.

- Before maintenance, deactivate the appliance and disconnect the mains plug from the mains socket.
- This appliance contains hydrocarbons in the cooling unit. Only a qualified person must do the maintenance and the recharging of the unit.
- Regularly examine the drain of the appliance and if necessary, clean it. If the drain is blocked, defrosted water collects in the bottom of the appliance.

2.6 Service

- To repair the appliance contact the Authorised Service Centre. Use original spare parts only.

- Please note that self-repair or non-professional repair can have safety consequences and might void the guarantee.
- The following spare parts are available for at least 7 years after the model has been discontinued: thermostats, temperature sensors, printed circuit boards, light sources, door handles, door hinges, trays and baskets. Door gaskets are available for at least 10 years after the model has been discontinued. The duration may be longer in your country. For further information, please visit our website.
- Please note that some of these spare parts are only available to professional repairers, and that not all spare parts are relevant for all models.

2.7 Disposal



WARNING!
Risk of injury or suffocation.

- Disconnect the appliance from the mains supply.
- Cut off the mains cable and discard it.
- Remove the door to prevent children and pets to be closed inside of the appliance.
- The refrigerant circuit and the insulation materials of this appliance are ozone-friendly.
- The insulation foam contains flammable gas. Contact your municipal authority for information on how to discard the appliance correctly.
- Do not cause damage to the part of the cooling unit that is near the heat exchanger.

3. INSTALLATION



WARNING!
Refer to Safety chapters.

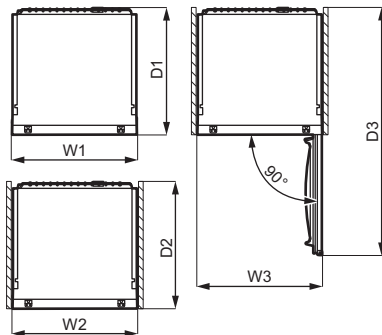
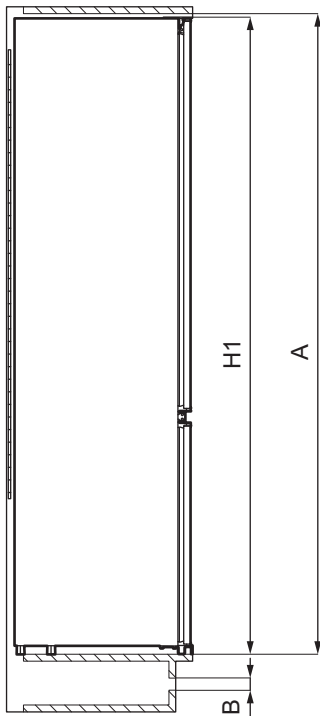


WARNING!
Refer to installation
instruction document to
install your appliance.



WARNING!
Fix the appliance in
accordance with installation
instruction document to
avoid a risk of instability of
the appliance.

3.1 Dimensions



Overall dimensions ¹		
H1	mm	1884
W1	mm	546
D1	mm	549

¹ the height, width and depth of the
appliance without the handle

Space required in use ²		
H2 (A+B)	mm	1936

Space required in use ²		
W2	mm	546
D2	mm	551
A	mm	1894
B	mm	36

² the height, width and depth of the
appliance including the handle, plus the
space necessary for free circulation of
the cooling air

Overall space required in use ³		
H3 (A+B)	mm	1936
W3	mm	546
D3	mm	1068

³ the height, width and depth of the appliance including the handle, plus the space necessary for free circulation of the cooling air, plus the space necessary to allow door opening to the minimum angle permitting removal of all internal equipment

3.2 Location

To ensure appliance's best functionality, you should not install the appliance in a place with direct sunlight. Do not install the appliance close to radiators or cookers, ovens, or hobs, unless otherwise specified in the installation instructions.

Make sure that air can circulate freely around the back of the cabinet.

This appliance should be installed in a dry, well ventilated indoor position.

This appliance is intended to be used at ambient temperature ranging from 10°C to 43°C.

i The correct operation of the appliance can only be guaranteed within the specified temperature range.

i If you have any doubts regarding where to install the appliance, please turn to the vendor, to our customer service or to the nearest Authorised Service Centre.

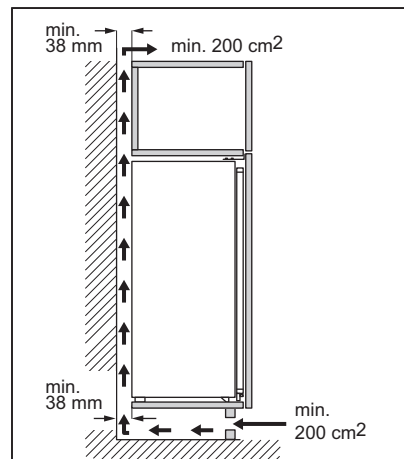
i It must be possible to disconnect the appliance from the mains power supply. The plug must therefore be easily accessible after installation.

3.3 Electrical connection

- Before plugging in, ensure that the voltage and frequency shown on the rating plate correspond to your domestic power supply.
- The appliance must be earthed. The power supply cable plug is provided with a contact for this purpose. If the domestic power supply socket is not earthed, connect the appliance to a separate earth in compliance with current regulations, consulting a qualified electrician.
- The manufacturer declines all responsibility if the above safety precautions are not observed.

3.4 Ventilation requirements

The airflow behind the appliance must be sufficient.



CAUTION!
Refer to the installation instructions for the installation.

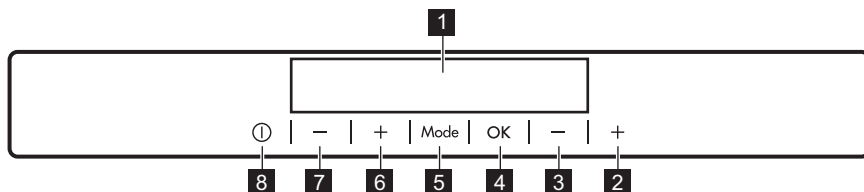
3.5 Door reversibility

Please refer to the separate document with instructions on installation and door reversal.

**CAUTION!**

At every stage of reversing the door protect the floor from scratching with a durable material.

4. CONTROL PANEL

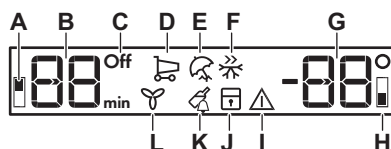


- 1** Display
- 2** Freezer Temperature warmer button
- 3** Freezer Temperature colder button
- 4** OK
- 5** Mode
- 6** Fridge Temperature warmer button

- 7** Fridge Temperature colder button
- 8** ON/OFF

It is possible to change predefined sound of buttons by pressing together Mode and temperature colder button for a few seconds. Change is reversible.

4.1 Display



- A. Fridge compartment indicator
- B. Timer indicator /Temperature indicator
- C. ON/OFF indicator
- D. Coolmatic function
- E. Holiday mode
- F. Frostmatic function
- G. Temperature indicator
- H. Freezer compartment indicator
- I. Alarm indicator
- J. ChildLock function
- K. DrinksChill function
- L. DYNAMICAIR function

4.2 Switching on

1. Connect the mains plug to the power socket.
 2. Press the appliance ON/OFF if the display is off. The temperature indicators show the set default temperature.
- To select a different set temperature refer to "Temperature regulation".

If "dEMo" appears on the display, refer to "Troubleshooting" .

4.3 Switching off

1. Press the appliance ON/OFF for 3 seconds.
The display switches off.
2. Disconnect the mains plug from the power socket.

4.4 Temperature regulation

Set the temperature of the appliance by pressing the temperature regulators.

Recommended set temperature is:

- +4°C for the fridge
- -18°C for the freezer

The temperature range may vary between -15°C and -24°C for freezer and between 2°C and 8°C for fridge.

The temperature indicators show the set temperature.



The set temperature will be reached within 24 hours. After a power failure the set temperature remains stored.

4.5 Switching on the fridge

To switch on the fridge it is enough to press the fridge temperature regulator. To switch on the fridge in the other way:

1. Press Mode until the corresponding icon appears.

The Fridge OFF indicator flashes.

2. Press OK to confirm.

The fridge OFF indicator turns off and the fridge compartment is switched on.



To select a different set temperature refer to "Temperature regulation".

4.6 Switching off the fridge

It is possible to switch off only the fridge compartment maintaining the freezer on.

1. Press Mode until the fridge compartment indicator appears.

The fridge OFF indicator and the fridge compartment indicator flash.

The fridge temperature indicator shows dashes.

2. Press OK to confirm.

The fridge OFF indicator is shown and the fridge compartment is switched off.

4.7 Coolmatic function

If you need to insert in the fridge compartment a large amount of warm food, for example after doing the grocery shopping, we suggest activating the Coolmatic function to chill the products more rapidly and to avoid warming the

other food which is already in the refrigerator.

1. Press the Mode until the corresponding icon appears. The Coolmatic indicator flashes.

2. Press the OK to confirm.

The Coolmatic indicator is shown. When the Coolmatic function is on, the fan may work automatically.

This function stops automatically after approximately 24 hours.

You can deactivate the Coolmatic function before its automatic end by repeating the procedure or by selecting a different fridge set temperature.

4.8 Holiday mode

This mode allows you to keep the fridge compartment empty during a long holiday period reducing the formation of bad odours while the freezer compartment can work normally.

1. Press the Mode until the corresponding icon appears.

The Holiday indicator flashes. The temperature indicator shows the set temperature.

2. Press the OK to confirm.

The Holiday indicator is shown.



This mode switches off after selecting a different temperature.

4.9 Frostmatic function

The Frostmatic function is used to pre-freeze and fast freeze in sequence in the freezer compartment. This function accelerates the freezing of fresh food and, at the same time, protects foodstuffs already stored from undesirable warming.



To freeze fresh food activate the Frostmatic function at least 24 hours before placing the food to complete pre-freezing.

1. To activate this function press the Mode button until the corresponding icon appears.

The Frostmatic indicator flashes.

2. Press the OK button to confirm.

The Frostmatic indicator is shown.
This function stops automatically after 52 hours.

You can deactivate the Frostmatic function before its automatic end by repeating the procedure until the Frostmatic indicator turns off or by selecting a different set temperature.

4.10 DYNAMICAIR function

The refrigerator compartment is equipped with a device that allows rapid cooling of food and keeps more uniform temperature in the compartment.

This device activates automatically when needed or manually.

To switch on the function:

1. Press the Mode button until the corresponding icon appears.
The DYNAMICAIR indicator flashes.
2. Press the OK button to confirm.
The DYNAMICAIR indicator is shown.

To switch off the function repeat the procedure until the DYNAMICAIR indicator turns off.



If the function is activated automatically the DYNAMICAIR indicator is not shown (refer to "DYNAMICAIR" section in "Daily use").
The activation of the DYNAMICAIR function increase the energy consumption.

The fan operates only when the door is closed.

4.11 ChildLock function

Activate the ChildLock function to lock the buttons from unintentional operation.

1. Press Mode until the corresponding icon appears.
The ChildLock indicator flashes.
2. Press OK to confirm.

The ChildLock indicator is shown.
To deactivate the ChildLock function, repeat the procedure until the ChildLock indicator turns off.

4.12 DrinksChill function

The DrinksChill function is to be used to set an acoustic alarm at the preferred time, useful for example when a recipe requires to cool down food products for a certain period of time.

It is also useful when a reminder is needed in order not to forget the bottles or cans placed in the freezer for fast cooling.

1. Press Mode until the corresponding icon appears.

The DrinksChill indicator flashes.
The Timer shows the set value (30 minutes) for a few seconds.

2. Press the Timer regulator to change the Timer set value from 1 to 90 minutes.
3. Press OK to confirm.

The DrinksChill indicator is shown.
The Timer starts to flash (min).

At the end of the countdown the "0 min" indicator flashes and an audible alarm sounds. Press OK to switch off the sound and terminate the function.

To switch off the function repeat the procedure until the DrinksChill indicator turns off.



It is possible to change the time at any time during the countdown and at the end by pressing the Temperature colder button and the Temperature warmer button.

4.13 High temperature alarm

When there is a temperature increase in the freezer compartment (for example due to an earlier power failure), the alarm and freezer temperature indicators flash and the sound is on.

To deactivate the alarm:

1. Press any button.
The sound switches off.
2. The freezer temperature indicator shows the highest temperature reached for a few seconds, then the display shows the set temperature again.



The alarm indicator continues to flash until the normal conditions are restored.
If you do not press any button, the sound switches off automatically after around one hour to avoid disturbing.

The alarm stops after closing the door.
During the alarm, the sound can be muted by pressing any button.



If you do not press any button, the sound switches off automatically after around one hour to avoid disturbing.

4.14 Door open alarm

If the fridge door is left open for approximately 5 minutes, the sound is on and alarm indicator flashes.

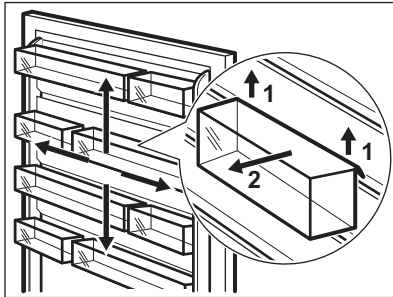
5. DAILY USE

5.1 Positioning door shelves

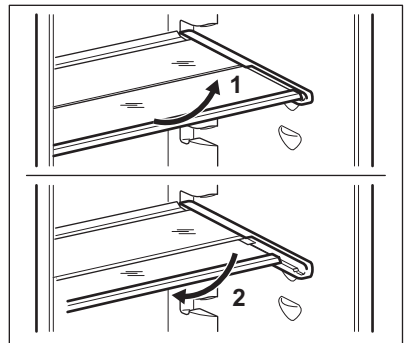
The door of this appliance is equipped with runners that enable shelves/bins to be arranged according to individual preferences.

To reposition the door shelves/bins:

1. Gradually lift the shelf/bin in the direction of the arrows until it comes free.
2. Place the shelf/bin in desired position and gently insert it into the runner.



1. Take out the front half gently.
2. Slide it into the lower rail and under the second half.



Do not move the glass shelf above the vegetable drawer to ensure correct air circulation.

5.2 Movable shelves

The walls of the refrigerator are equipped with a series of runners so that the shelves can be positioned as desired.

This appliance is also equipped with a shelf consisting of two parts. The front half of the shelf can be placed under the second half to make better use of space.

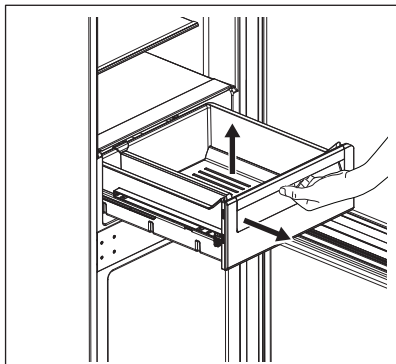
To fold the shelf:

5.3 Vegetable drawer

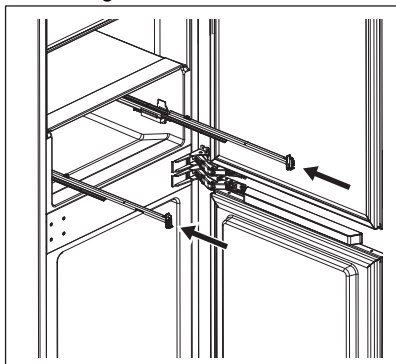
The drawer is suitable for storing fruit and vegetables.

To remove the drawer (e.g. for cleaning):

1. Pull out the drawer and lift it up.

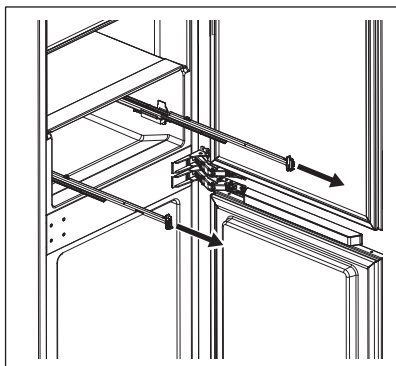


2. Push the rails inside the cabinet to avoid damage to the appliance when closing the door.

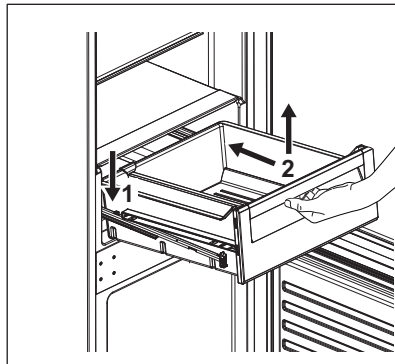


To reassemble:

1. Pull out the rails.



2. Place the rear part of the drawer (1) on the rails.



3. Keep the front of the drawer (2) lifted up while pushing the drawer in.
4. Press the front part of the drawer downwards.



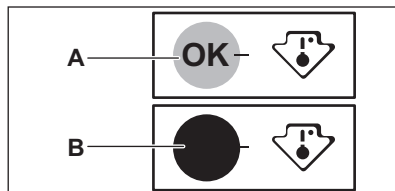
Pull out the drawer again and check if it is placed correctly on both rear and front hooks.

5.4 Temperature indicator

For proper storage of food the refrigerator is equipped with the temperature indicator. The symbol on the side wall of the appliance indicates the coldest area in the refrigerator.

If OK is displayed (A), put fresh food into area indicated by symbol, if not (B), wait at least 12 hours and check if it is OK (A).

If it is still not OK (B), adjust the setting control to a colder setting.

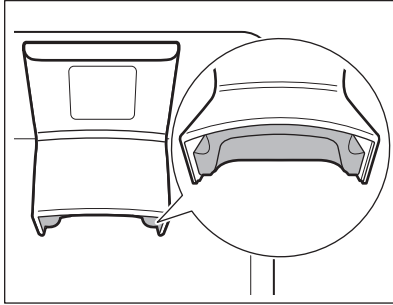


5.5 DYNAMICAIR

The refrigerator compartment is equipped with a device that allows rapid cooling of foods and keeps more uniform temperature in the compartment.



WARNING!
Do not remove the Styrofoam at the bottom of the device.



This device activates automatically when needed.

It is also possible to switch on the device manually when needed (refer to "DYNAMICAIR function").



The fan operates only when the door is closed.

5.6 Freezing fresh food

The freezer compartment is suitable for freezing fresh food and storing frozen and deep-frozen food for a long time.

To freeze fresh food activate the Frostmatic function at least 24 hours before placing the food to be frozen in the freezer compartment.

Store the fresh food evenly distributed in the first compartment or drawer from the top.

The maximum amount of food that can be frozen without adding other fresh food during 24 hours is specified on the rating plate (a label located inside the appliance).

When the freezing process is complete, the appliance automatically returns to the

previous temperature setting (see "Frostmatic function").

For more information refer to "Hints for freezing".

5.7 Storage of frozen food

When activating an appliance for the first time or after a period out of use, before putting the products in the compartment let the appliance run at least 3 hours with the Frostmatic function switched on.

The freezer drawers ensure that it is quick and easy to find the food package you want.

If large quantities of food are to be stored, remove all drawers and place the food on shelves.

Keep the food no closer than 15 mm from the door.



CAUTION!

In the event of accidental defrosting, for example due to a power failure, if the power has been off for longer than the value shown on rating plate under "rising time", the defrosted food must be consumed quickly or cooked immediately then cooled and then re-frozen. Refer to "High temperature alarm".

5.8 Thawing

Deep-frozen or frozen food, prior to being consumed, can be thawed in the refrigerator or inside a plastic bag under cold water.

This operation depends on the time available and on the type of food. Small pieces may even be cooked still frozen.

6. HINTS AND TIPS

6.1 Hints for energy saving

- Freezer: The internal configuration of the appliance is the one that ensures the most efficient use of energy.

- Fridge: Most efficient use of energy is ensured in the configuration with the drawers in the bottom part of the appliance and shelves evenly

distributed. Position of the door bins does not affect energy consumption.

- Do not open the door frequently or leave it open longer than necessary.
- Freezer: The colder the temperature setting, the higher the energy consumption.
- Fridge: Do not set too high temperature to save energy unless it is required by the characteristics of the food.
- If the ambient temperature is high and the temperature control is set to low temperature and the appliance is fully loaded, the compressor may run continuously, causing frost or ice formation on the evaporator. In this case, set the temperature control toward higher temperature to allow automatic defrosting and to save energy this way.
- Ensure a good ventilation. Do not cover the ventilation grilles or holes.
- Make sure that food products inside the appliance allow air circulation through dedicated holes in the rear interior of the appliance.


6.2 Hints for freezing

- Activate Frostmatic function at least 24 hours before placing the food inside the freezer compartment.
- Before freezing wrap and seal fresh food in: aluminium foil, plastic film or bags, airtight containers with lid.
- For more efficient freezing and thawing divide food into small portions.
- It is recommended to put labels and dates on all your frozen food. This will help to identify foods and to know when they should be used before their deterioration.
- The food should be fresh when being frozen to preserve good quality. Especially fruits and vegetables should be frozen after the harvest to preserve all of their nutrients.
- Do not freeze bottles or cans with liquids, in particular drinks containing carbon dioxide - they may explode during freezing.
- Do not put hot food in the freezer compartment. Cool it down at room

temperature before placing it inside the compartment.

- To avoid increase in temperature of already frozen food, do not place fresh unfrozen food directly next to it. Place food at room temperature in the part of the freezer compartment where there is no frozen food.
- Do not eat ice cubes, water ices or ice lollies immediately after taking them out of the freezer. Risk of frostbites.
- Do not re-freeze defrosted food. If the food has defrosted, cook it, cool it down and then freeze it.

6.3 Hints for storage of frozen food

- Freezer compartment is the one marked with .
- Good temperature setting that ensures preservation of frozen food products is a temperature less than or equal to -18°C. Higher temperature setting inside the appliance may lead to shorter shelf life.
- The whole freezer compartment is suitable for storage of frozen food products.
- Leave enough space around the food to allow air to circulate freely.
- For adequate storage refer to food packaging label to see the shelf life of food.
- It is important to wrap the food in such a way that prevents water, humidity or condensation from getting inside.

6.4 Shopping tips

After grocery shopping:

- Ensure that the packaging is not damaged - the food could be deteriorated. If the package is swollen or wet, it might have not been stored in the optimal conditions and defrosting may have already started.
- To limit the defrosting process buy frozen goods at the end of your grocery shopping and transport them in a thermal and insulated cool bag.
- Place the frozen foods immediately in the freezer after coming back from the shop.

- If food has defrosted even partially, do not re-freeze it. Consume it as soon as possible.
- Respect the expiry date and the storage information on the package.

6.5 Shelf life for freezer compartment

Type of food	Shelf life (months)
Bread	3
Fruits (except citrus)	6 - 12
Vegetables	8 - 10
Leftovers without meat	1 - 2
Dairy food:	
Butter	6 - 9
Soft cheese (e.g. mozzarella)	3 - 4
Hard cheese (e.g. parmesan, cheddar)	6
Seafood:	
Fatty fish (e.g. salmon, mackerel)	2 - 3
Lean fish (e.g. cod, flounder)	4 - 6
Shrimps	12
Shucked clams and mussels	3 - 4
Cooked fish	1 - 2
Meat:	
Poultry	9 - 12
Beef	6 - 12
Pork	4 - 6
Lamb	6 - 9
Sausage	1 - 2
Ham	1 - 2
Leftovers with meat	2 - 3


6.6 Hints for fresh food refrigeration

- Good temperature setting that ensures preservation of fresh food is a temperature less than or equal to +4°C.
Higher temperature setting inside the appliance may lead to shorter shelf life of food.
- Cover the food with packaging to preserve its freshness and aroma.
- Always use closed containers for liquids and for food, to avoid flavours or odours in the compartment.
- To avoid the cross-contamination between cooked and raw food, cover

the cooked food and separate it from the raw one.

- It is recommended to defrost the food inside the fridge.
- Do not insert hot food inside the appliance. Make sure it has cooled down at room temperature before inserting it.
- To prevent food waste the new stock of food should always be placed behind the old one.

6.7 Hints for food refrigeration

- Fresh food compartment is the one marked (on the rating plate) with  .

- Meat (all types): wrap in a suitable packaging and place it on the glass shelf above the vegetable drawer. Store meat for at most 1-2 days.
- Fruit and vegetables: clean thoroughly (eliminate the soil) and place in a special drawer (vegetable drawer).
- It is advisable not to keep the exotic fruits like bananas, mangos, papayas etc. in the refrigerator.
- Vegetables like tomatoes, potatoes, onions, and garlic should not be kept in the refrigerator.
- Butter and cheese: place in an airtight container or wrap in an aluminium foil

or a polythene bag to exclude as much air as possible.

- Bottles: close them with a cap and place them on the door bottle shelf, or (if available) on the bottle rack.
- In order to accelerate cooling down of the goods, it is advisable to turn on the fan. The activation of DYNAMICAIR allows greater homogenization of internal temperatures.
- Always refer to the expiry date of the products to know how long to keep them.

7. CARE AND CLEANING



WARNING!

Refer to Safety chapters.

7.1 Cleaning the interior

Before using the appliance for the first time, the interior and all internal accessories should be washed with lukewarm water and some neutral soap to remove the typical smell of a brand-new product, then dried thoroughly.



CAUTION!

Do not use detergents, abrasive powders, chlorine or oil-based cleaners as they will damage the finish.



CAUTION!

The accessories and parts of the appliance are not suitable for washing in a dishwasher.

7.2 Periodic cleaning

The equipment has to be cleaned regularly:

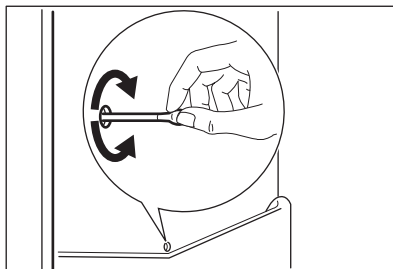
1. Clean the inside and accessories with lukewarm water and some neutral soap.
2. Regularly check the door seals and wipe them clean to ensure they are clean and free from debris.
3. Rinse and dry thoroughly.

7.3 Defrosting of the refrigerator

Frost is automatically eliminated from the evaporator of the refrigerator compartment during normal use. The defrost water drains out through a trough into a special container at the back of the appliance, over the motor compressor, where it evaporates.

It is important to periodically clean the defrost water drain hole in the middle of the refrigerator compartment channel to prevent the water overflowing and dripping onto the food inside.

For this purpose use the tube cleaner provided with the appliance.



7.4 Defrosting of the freezer

The freezer compartment is frost free. This means that there is no build up of frost when it is in operation, neither on the internal walls, nor on the foods.

7.5 Period of non-operation

When the appliance is not in use for long period, take the following precautions:

1. Disconnect the appliance from electricity supply.

2. Remove all food.
3. Clean the appliance and all accessories.
4. Leave the doors open to prevent unpleasant smells.

8. TROUBLESHOOTING



WARNING!

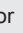

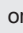
Refer to Safety chapters.

8.1 What to do if...

Problem	Possible cause	Solution
The appliance does not operate.	The appliance is switched off.	Switch on the appliance.
	The mains plug is not connected to the mains socket correctly.	Connect the mains plug to the mains socket correctly.
	There is no voltage in the mains socket.	Connect a different electrical appliance to the mains socket. Contact a qualified electrician.
The appliance is noisy.	The appliance is not supported properly.	Check if the appliance stands stable.
Acoustic or visual alarm is on.	The cabinet has been recently switched on.	Refer to "High temperature alarm" or "Door open alarm".
	The temperature in the appliance is too high.	Refer to "High temperature alarm" or "Door open alarm".
	The door is left open.	Close the door.
The compressor operates continually.	Temperature is set incorrectly.	Refer to "Control panel" chapter.
	Many food products were put in at the same time.	Wait a few hours and then check the temperature again.
	The room temperature is too high.	Refer to "Installation" chapter.
	Food products placed in the appliance were too warm.	Allow food products to cool to room temperature before storing.
	The door is not closed correctly.	Refer to "Closing the door" section.

Problem	Possible cause	Solution
	The Frostmatic function is switched on.	Refer to "Frostmatic function" section.
	The Coolmatic function is switched on.	Refer to "Coolmatic function" section.
The compressor does not start immediately after pressing the "Frostmatic" or "Coolmatic", or after changing the temperature.	The compressor starts after a period of time.	This is normal, no error has occurred.
Door is misaligned or interferes with ventilation grill.	The appliance is not levelled.	Refer to installation instructions.
Door does not open easily.	You attempted to re-open the door immediately after closing.	Wait a few seconds between closing and re-opening of the door.
The lamp does not work.	The lamp is in stand-by mode.	Close and open the door.
	The lamp is defective.	Contact the nearest Authorized Service Centre.
There is too much frost and ice.	The door is not closed correctly.	Refer to "Closing the door" section.
	The gasket is deformed or dirty.	Refer to "Closing the door" section.
	Food products are not wrapped properly.	Wrap the food products better.
	Temperature is set incorrectly.	Refer to "Control panel" chapter.
	Appliance is fully loaded and is set to the lowest temperature.	Set a higher temperature. Refer to "Control panel" chapter.
	Temperature set in the appliance is too low and the ambient temperature is too high.	Set a higher temperature. Refer to "Control panel" chapter.
Water flows on the rear plate of the refrigerator.	During the automatic defrosting process, frost melts on the rear plate.	This is correct.
There is too much condensed water on the rear wall of the refrigerator.	Door was opened too frequently.	Open the door only when necessary.

Problem	Possible cause	Solution
	Door was not closed completely.	Make sure the door is closed completely.
	Stored food was not wrapped.	Wrap food in suitable packaging before storing it in the appliance.
Water flows inside the refrigerator.	Food products prevent the water from flowing into the water collector.	Make sure that food products do not touch the rear plate.
	The water outlet is clogged.	Clean the water outlet.
Water flows on the floor.	The melting water outlet is not connected to the evaporative tray above the compressor.	Attach the melting water outlet to the evaporative tray.
Temperature cannot be set.	The Frostmatic function or Coolmatic function is switched on.	Switch off Frostmatic function or Coolmatic function manually, or wait until the function deactivates automatically to set the temperature. Refer to "Frostmatic function" or "Coolmatic function" section.
The temperature in the appliance is too low/too high.	The temperature is not set correctly.	Set a higher/lower temperature.
	The door is not closed correctly.	Refer to "Closing the door" section.
	The food products' temperature is too high.	Let the food products temperature decrease to room temperature before storage.
	Many food products are stored at the same time.	Store less food products at the same time.
	The door has been opened often.	Open the door only if necessary.
	The Frostmatic function is switched on.	Refer to "Frostmatic function" section.
	The Coolmatic function is switched on.	Refer to "Coolmatic function" section.
	There is no cold air circulation in the appliance.	Make sure that there is cold air circulation in the appliance. Refer to "Hints and tips" chapter.

Problem	Possible cause	Solution
DEMO appears on the display.	The appliance is in the demonstration mode.	To exit the demonstration mode, press and hold the OK button for approximately 10 seconds until you hear a long sound and the display turns off for a short time.
A  or  or  symbol is shown instead of numbers on the temperature display.	Temperature sensor problem.	Contact the nearest Authorized Service Centre. The cooling system will continue to keep food products cold, but temperature adjustment will not be possible.



If the advice does not lead to the desired result, call the nearest Authorized Service Centre.

8.2 Replacing the lamp

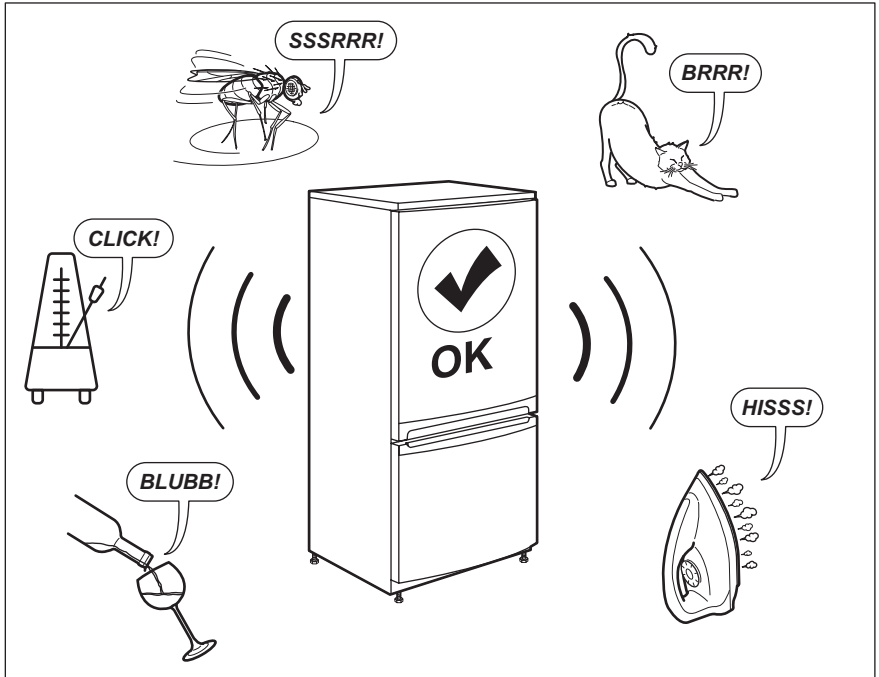
The appliance is equipped with a longlife LED interior light.

Only service is allowed to replace the lighting device. Contact your Authorised Service Centre.

8.3 Closing the door

1. Clean the door gaskets.
2. If necessary, adjust the door. Refer to installation instructions.
3. If necessary, replace the defective door gaskets. Contact the Authorised Service Centre.

9. NOISES



10. TECHNICAL DATA

The technical information is situated in the rating plate on the internal side of the appliance and on the energy label.

The QR code on the energy label supplied with the appliance provides a web link to the information related to the performance of the appliance in the EU EPREL database. Keep the energy label for reference together with the user manual and all other documents provided with this appliance.

It is also possible to find the same information in EPREL using the link <https://eprel.ec.europa.eu> and the model name and product number that you find on the rating plate of the appliance.


See the link www.theenergylabel.eu for detailed information about the energy label.


11. INFORMATION FOR TEST INSTITUTES

Installation and preparation of the appliance for any EcoDesign verification shall be compliant with EN 62552 (EU). Ventilation requirements, recess dimensions and minimum rear

clearances shall be as stated in this User Manual in "Installation". Please contact the manufacturer for any other further information, including loading plans.

12. ENVIRONMENTAL CONCERNS

Recycle materials with the symbol .
Put the packaging in relevant containers to recycle it. Help protect the environment and human health by recycling waste of electrical and electronic appliances. Do not dispose of

appliances marked with the symbol  with the household waste. Return the product to your local recycling facility or contact your municipal office.

ÍNDICE

1. INFORMAÇÕES DE SEGURANÇA.....	24
2. INSTRUÇÕES DE SEGURANÇA.....	27
3. INSTALAÇÃO.....	29
4. PAINEL DE COMANDOS.....	32
5. UTILIZAÇÃO DIÁRIA.....	35
6. SUGESTÕES E CONSELHOS.....	38
7. CUIDADOS E LIMPEZA.....	41
8. RESOLUÇÃO DE PROBLEMAS.....	42
9. RUÍDOS.....	46
10. INFORMAÇÃO TÉCNICA.....	46
11. INFORMAÇÃO PARA INSTITUTOS DE TESTE.....	46
12. PREOCUPAÇÕES AMBIENTAIS.....	47

PARA RESULTADOS PERFEITOS

Obrigado por escolher este produto AEG. Criámo-lo para lhe proporcionar um desempenho impecável durante muitos anos, com tecnologias inovadoras que tornam a sua vida mais fácil – funcionalidades que poderá não encontrar em aparelhos comuns. Continue a ler durante alguns minutos para tirar o máximo partido do produto.

Visite o nosso website para:



Obter conselhos de utilização, folhetos, resolução de problemas e informações sobre assistência e reparações:

www.aeg.com/support



Registe o seu produto para beneficiar de um serviço melhor:

www.registeraeg.com



Adquira acessórios, consumíveis e peças de substituição originais para o seu aparelho:

www.aeg.com/shop


APOIO AO CLIENTE E ASSISTÊNCIA

Utilize sempre peças de substituição originais.

Sempre que contactar o nosso Centro de Assistência Técnica Autorizado, assegure que tem disponíveis os dados seguintes: Modelo, PNC, Número de Série.

Esta informação encontra-se na placa de identificação.

 Aviso/Cuidado – Informações de segurança

 Informações gerais e sugestões

 Informações ambientais

Sujeito a alterações sem aviso prévio.

1. INFORMAÇÕES DE SEGURANÇA

Leia atentamente as instruções fornecidas antes de instalar e utilizar o aparelho. O fabricante não poderá

ser responsabilizado por ferimentos ou danos resultantes de instalação incorreta ou utilização incorreta. Guarde sempre as instruções num sítio seguro e acessível para consultar no futuro.

1.1 Segurança de crianças e pessoas vulneráveis

- Este aparelho pode ser utilizado por crianças com 8 anos de idade ou mais velhas e por pessoas com capacidades físicas, sensoriais ou mentais reduzidas ou falta de experiência e conhecimento se forem supervisionadas ou instruídas no que respeita à utilização do aparelho de uma forma segura e compreenderem os perigos envolvidos. É permitida a carga e a descarga do aparelho por crianças entre 3 e 8 anos de idade e pessoas com incapacidades muito extensas e complexas, desde que tenham sido instruídas corretamente. É necessário manter as crianças com menos de 3 anos de idade afastadas do aparelho, a menos que sejam constantemente vigiadas.
- As crianças devem ser vigiadas para garantir que não brincam com o aparelho.
- A limpeza e a manutenção básica do aparelho não devem ser efetuadas por crianças sem supervisão.
- Mantenha todos os materiais de embalagem fora do alcance das crianças e elimine-os de forma apropriada.

1.2 Segurança geral

- Este aparelho destina-se apenas a armazenar alimentos e bebidas.
- Este aparelho foi concebido unicamente para utilização doméstica num ambiente interior.
- Este aparelho pode ser utilizado em escritórios, quartos de hóspedes de hotéis, quartos de hóspedes de pousadas, casas de hóspedes de turismo rural e outros alojamentos semelhantes onde tal utilização

não exceda os níveis de utilização doméstica (médios).

- Para evitar a contaminação dos alimentos, siga as instruções que se seguem:
 - não abra a porta durante longos períodos;
 - limpe regularmente superfícies que possam entrar em contacto com alimentos e sistemas de drenagem acessíveis;
 - guarde a carne e o peixe crus em recipientes adequados no frigorífico, para que não entrem em contacto ou pinguem sobre outros alimentos.
- AVISO: Mantenha desobstruídas as aberturas de ventilação do aparelho ou da estrutura onde ele se encontra encastrado.
- AVISO: Não utilize um dispositivo mecânico ou qualquer meio artificial para acelerar o processo de descongelação além daqueles recomendados pelo fabricante.
- AVISO: Não danifique o circuito de refrigeração.
- AVISO: Não utilize aparelhos elétricos dentro dos compartimentos do aparelho destinados a alimentos, a não ser que sejam do tipo recomendado pelo fabricante.
- Não utilize jatos de água ou vapor para limpar o aparelho.
- Limpe o aparelho com um pano macio e húmido. Utilize apenas detergentes neutros. Não utilize produtos abrasivos, esfregões abrasivos, solventes ou objetos metálicos.
- Quando o aparelho estiver vazio durante um longo período, desligue-o, descongele, limpe, seque e deixe a porta aberta para prevenir o desenvolvimento de bolor no interior do aparelho.
- Não guarde substâncias explosivas, como latas de aerossóis com agente de pressão inflamável, dentro do aparelho.
- Se o cabo de alimentação estiver danificado, deve ser substituído pelo fabricante, por um Centro de

Assistência Técnica Autorizado ou por uma pessoa igualmente qualificada, para evitar perigos.

2. INSTRUÇÕES DE SEGURANÇA

2.1 Instalação



AVISO!

A instalação deste aparelho tem de ser efetuada por uma pessoa qualificada.

- Retire a embalagem toda.
- Não instale nem utilize o aparelho se estiver danificado.
- Não utilize o aparelho antes de o instalar na estrutura embutida de uma forma segura.
- Siga as instruções de instalação fornecidas com o aparelho.
- Tenha sempre cuidado quando deslocar o aparelho porque ele é pesado. Utilize sempre luvas de proteção e calçado fechado.
- Certifique-se de que o ar pode circular em torno do aparelho.
- Após a instalação ou após uma inversão da porta, aguarde pelo menos 4 horas antes de ligar o aparelho à alimentação eléctrica. Isto permite que o óleo regresse ao compressor.
- Antes de efectuar qualquer operação no aparelho (por exemplo, inverter a porta), retire a ficha da tomada eléctrica.
- Não instale o aparelho próximo de radiadores ou fogões, fornos ou placas, salvo especificação em contrário nas instruções de instalação.
- Não exponha o aparelho à chuva.
- Não instale o aparelho em locais com luz solar direta.
- Não instale este aparelho em locais demasiado húmidos ou frios.
- Quando deslocar o aparelho, eleve-o na parte da frente para evitar riscar o chão.
- O aparelho contém um saco de dessecador. Não é um brinquedo. Não é um alimento. Deite-o fora imediatamente.

2.2 Ligação eléctrica



AVISO!

Risco de incêndio e choque eléctrico.



AVISO!

Ao posicionar o aparelho, certifique-se de que o cabo de alimentação não está preso nem danificado.



AVISO!

Não utilize adaptadores de tomadas duplas ou triplas, nem cabos de extensão.

- O aparelho tem de ficar ligado à terra.
- Certifique-se de que os parâmetros indicados na placa de características são compatíveis com as características da alimentação eléctrica.
- Utilize sempre uma tomada devidamente instalada e à prova de choques eléctricos.
- Certifique-se de que não danifica os componentes eléctricos (ficha e cabo de alimentação eléctrica, compressor, etc.). Contacte o centro de assistência técnica autorizada ou um electricista se for necessário substituir componentes eléctricos.
- O cabo de alimentação eléctrica deve ficar abaixo do nível da ficha.
- Ligue a ficha à tomada eléctrica apenas no final da instalação. Certifique-se de que a ficha fica acessível após a instalação.
- Não puxe o cabo de alimentação para desligar o aparelho. Puxe sempre a ficha.

2.3 Utilização



AVISO!

Risco de ferimentos, queimaduras, choque eléctrico ou incêndio.



O aparelho contém gás inflamável, isobutano (R600a), um gás natural com um elevado nível de compatibilidade ambiental. Tenha cuidado para não provocar danos no circuito de refrigeração que contém isobutano.

- Não altere as especificações deste aparelho.
- É estritamente proibida qualquer utilização do produto de encastrar como produto independente.
- Não coloque dispositivos elétricos (por ex., máquinas de fazer gelados) no interior do aparelho, exceto se forem autorizados pelo fabricante.
- Se ocorrerem danos no circuito de refrigeração, certifique-se de que não existem chamas e fontes de ignição na divisão. Ventile bem a divisão.
- Não permita que objetos quentes toquem nas peças de plástico do aparelho.
- Não coloque bebidas gaseificadas dentro do congelador. Isto irá criar pressão no recipiente da bebida.
- Não guarde gases e líquidos inflamáveis no aparelho.
- Não coloque produtos inflamáveis, nem objetos molhados com produtos inflamáveis, no interior, perto ou em cima do aparelho.
- Não toque no compressor ou no condensador. Estão quentes.
- Não remova nem toque em peças do compartimento de congelação com as mãos húmidas ou molhadas.
- Não volte a congelar alimentos que já foram descongelados.
- Cumpra as instruções de armazenamento das embalagens dos alimentos congelados.
- Embrulhe os alimentos em qualquer material adequado para entrar em contacto com alimentos antes de os colocar no compartimento do congelador.
- Não permita que os alimentos entrem em contacto com as paredes internas dos compartimentos do aparelho.

2.4 Iluminação interna



AVISO!

Risco de choque eléctrico.

- Este produto contém uma ou mais fontes de luz da classe de eficiência energética F.
- Relativamente à(s) lâmpada(s) no interior deste produto e às lâmpadas sobressalentes vendidas separadamente: Estas lâmpadas destinam-se a suportar condições físicas extremas em eletrodomésticos, tais como temperatura, vibração, humidade, ou destinam-se a sinalizar informação relativamente ao estado operacional do aparelho. Não se destinam a ser utilizadas em outras aplicações e não se adequam à iluminação de espaços domésticos.

2.5 Manutenção e limpeza



AVISO!

Risco de ferimentos ou danos no aparelho.

- Antes de qualquer acção de manutenção, desactive o aparelho e desligue a ficha da tomada eléctrica.
- Este aparelho contém hidrocarbonetos na sua unidade de arrefecimento A manutenção e o recarregamento só devem ser efectuados por uma pessoa qualificada.
- Inspeccione regularmente o escoamento do aparelho e limpe-o, se necessário. Se o orifício de escoamento estiver bloqueado, a água descongelada fica acumulada na parte inferior do aparelho.

2.6 Assistência técnica

- Para reparar o aparelho, contacte o Centro de Assistência Técnica Autorizado. Utilize apenas peças sobressalentes originais.
- Note que uma reparação própria ou não profissional pode ter consequências para a segurança e anular a garantia.
- As seguintes peças de reposição estão disponíveis durante, pelo

- menos, 7 anos após a descontinuação do modelo: termóstatos, sensores de temperatura, placas de circuito impressas, fontes de luz, pegas de porta, dobradiças de porta, tabuleiros e cestos. As juntas das portas estão disponíveis durante, pelo menos, 10 anos após a descontinuação do modelo. A duração pode ser mais longa no seu país. Para saber mais informações, visite o nosso website.
- Note que algumas destas peças de reposição só estão disponíveis para reparadores profissionais e que nem todas as peças de reposição são relevantes para todos os modelos.
 - Desligue o aparelho da alimentação eléctrica.
 - Corte o cabo de alimentação eléctrica e elimine-o.
 - Remova a porta para evitar que crianças ou animais de estimação fiquem fechados no interior do aparelho.
 - O circuito de refrigeração e os materiais de isolamento deste aparelho não prejudicam a camada de ozono.
 - A espuma de isolamento contém gás inflamável. Contacte a sua autoridade municipal para saber como eliminar o aparelho correctamente.
 - Não provoque danos na parte da unidade de arrefecimento que está próxima do permutador de calor.

2.7 Eliminação



AVISO!
Risco de ferimentos ou asfixia.

3. INSTALAÇÃO



AVISO!
Consulte os capítulos de Segurança.

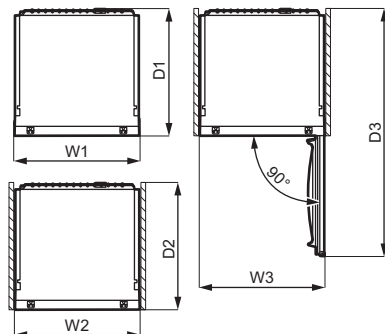
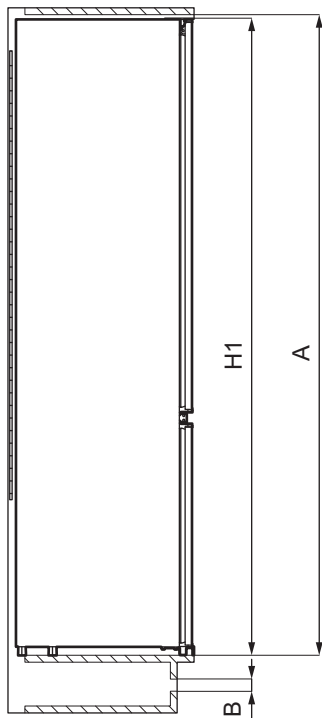


AVISO!
Consulte o documento de instruções de instalação para instalar o seu aparelho.



AVISO!
Fixe o aparelho de acordo com o documento de instruções de instalação para evitar um risco de instabilidade do aparelho.

3.1 Dimensões



Dimensões gerais ¹		
H1	mm	1884
W1	mm	546
D1	mm	549

¹ a altura, largura e profundidade do aparelho sem o puxador

Espaço necessário em utilização ²		
H2 (A+B)	mm	1936
W2	mm	546
D2	mm	551
A	mm	1894
B	mm	36

² a altura, largura e profundidade do aparelho incluindo o puxador, mais o espaço necessário para a livre circulação do ar de arrefecimento

Espaço geral necessário em utilização ³		
H3 (A+B)	mm	1936
W3	mm	546
D3	mm	1068

³ a altura, largura e profundidade do aparelho incluindo o puxador, mais o espaço necessário para a livre circulação do ar de arrefecimento, mais o espaço necessário para permitir a abertura da porta no ângulo mínimo que permita a remoção de todo o equipamento do interior

3.2 Localização

Para garantir a melhor funcionalidade do aparelho, não deve instalá-lo num local com luz solar direta. Não instale o aparelho próximo de radiadores ou fogões, fornos ou placas, salvo especificação em contrário nas instruções de instalação.

Verificar se o ar circular livremente na parte de trás do armário.

Este aparelho deve ser instalado numa posição seca e bem ventilada no interior.

Este aparelho está previsto para ser usado numa temperatura ambiente entre 10°C a 43°C.

- i** O funcionamento correto do aparelho é garantido apenas no intervalo de temperaturas especificado.
- i** No caso de dúvidas sobre o posicionamento para instalação do aparelho, contactar o revendedor, o nosso serviço de apoio a clientes ou o Centro de Assistência Técnica Autorizado mais próximo.
- i** Deve haver espaço suficiente para permitir desligar o aparelho da corrente elétrica. A ficha deve estar facilmente acessível depois da instalação.

3.3 Ligação elétrica

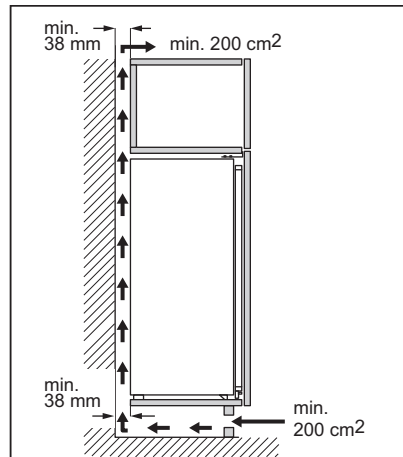
- Antes de ligar, certifique-se de que a tensão e a frequência indicadas na placa de características correspondem à sua fonte de alimentação doméstica.
- O aparelho tem estar ligado à terra. A ficha do cabo de alimentação é fornecida com um contacto para este fim. Se a tomada de alimentação

doméstica não estiver ligada à terra, ligue o aparelho a uma ligação à terra separada, em conformidade com os regulamentos em vigor, consultando um electricista qualificado.

- O fabricante declina toda a responsabilidade se as precauções de segurança acima não forem cumpridas.

3.4 Requisitos de ventilação

O fluxo de ar atrás do aparelho deve ser suficiente.



CUIDADO!

Consulte as instruções de instalação para efetuar a instalação.

3.5 Reversibilidade das portas

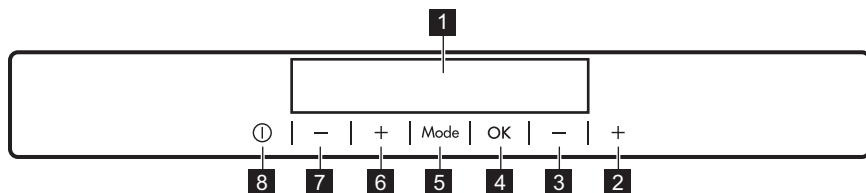
Consulte o documento avulso com instruções sobre a instalação e reversibilidade da porta.



CUIDADO!

Em qualquer etapa de reversão da porta, proteja o pavimento de riscos com um material durável.

4. PAINEL DE COMANDOS



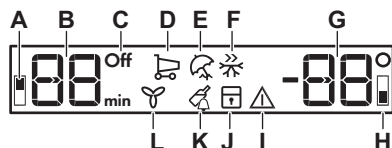
- 1** Visor
- 2** Botão de aumento da temperatura do congelador
- 3** Botão de diminuição da temperatura do congelador
- 4** OK
- 5** Mode
- 6** Botão de aumento da temperatura do frigorífico

- 7** Botão de diminuição da temperatura do frigorífico

8 ON/OFF

É possível alterar o som predefinido dos botões premindo simultaneamente Mode e o botão de diminuição da temperatura durante alguns segundos. A alteração é reversível.

4.1 Visor



- A. Indicador do compartimento do frigorífico
- B. Indicador do temporizador /Indicador de temperatura
- C. Indicador ON/OFF
- D. Função Coolmatic
- E. Modo Holiday
- F. Função Frostmatic
- G. Indicador de temperatura
- H. Indicador do compartimento do congelador
- I. Indicador de alarme
- J. Função ChildLock
- K. Função DrinksChill
- L. Função DYNAMICAIR

4.2 Ligar

1. Ligue a ficha na tomada elétrica.
2. Prima o ON/OFF do aparelho se o visor estiver desligado. Os indicadores de temperatura apresentam a temperatura predefinida.

Para selecionar uma temperatura diferente, consulte "Como regular a temperatura".

Se o visor apresentar "dEMo", consulte "Resolução de problemas".

4.3 Desligar

1. Prima o botão ON/OFF do aparelho durante 3 segundos. O visor desliga-se.
2. Desligue a ficha da tomada eléctrica.

4.4 Como regular a temperatura

Premir nos reguladores de temperatura para definir a temperatura do aparelho. A temperatura selecionada é:

- +4°C para o frigorífico
- -18°C para o congelador

O intervalo de temperatura pode variar entre -15 °C e -24 °C para o congelador e entre 2 °C e 8 °C para o frigorífico.

Os indicadores de temperatura apresentam a temperatura definida.



A temperatura definida é atingida em 24 horas.

Depois de um corte de energia, a temperatura definida permanece memorizada.

4.5 Ligar o frigorífico

Para ligar o frigorífico, basta premir o regulador de temperatura do frigorífico. Para ligar o frigorífico de outra forma:

1. Prima o botão Mode até aparecer o ícone correspondente.

O indicador OFF do frigorífico fica intermitente.

2. Prima OK para confirmar.

O indicador OFF do frigorífico apaga-se e o indicador do frigorífico fica ligado.



Para selecionar uma temperatura diferente, consulte "Como regular a temperatura".

4.6 Desligar o frigorífico

É possível desligar apenas o compartimento do frigorífico mantendo o congelador ligado.

1. Prima Mode até aparecer o indicador do compartimento do frigorífico.

O indicador OFF do frigorífico e o indicador do compartimento do frigorífico ficam intermitentes.

O indicador de temperatura do frigorífico apresenta travessões.

2. Prima OK para confirmar.

O indicador OFF do frigorífico e o indicador do frigorífico ficam intermitentes.

4.7 Coolmatic função

Se necessitar de inserir no compartimento do frigorífico uma grande quantidade de alimentos quentes, por exemplo, após fazer as compras,

sugerimos que ative a função Coolmatic para arrefecer os produtos mais rapidamente e para evitar aquecer os outros alimentos que já estejam no frigorífico.

1. Prima o botão Mode até aparecer o ícone correspondente.

O indicador Coolmatic fica intermitente.

2. Prima OK para confirmar.

O indicador Coolmatic aparece. Quando a função Coolmatic está ativa, a ventoinha pode funcionar automaticamente.

A função para automaticamente após aproximadamente 24 horas.

Pode desativar a função Coolmatic antes do seu final automático e repetindo o procedimento ou selecionando uma regulação de temperatura diferente.

4.8 Modo Holiday

Este modo permite-lhe manter o compartimento do frigorífico vazio durante um longo período de férias, reduzindo a formação de maus odores enquanto o compartimento do congelador pode funcionar normalmente.

1. Prima o botão Mode até aparecer o ícone correspondente.

O indicador Holiday fica intermitente. O indicador de temperatura apresenta a temperatura definida.

2. Prima OK para confirmar.

O indicador Holiday aparece.



Este modo desliga-se após a seleção da um temperatura diferente.

4.9 Frostmatic função

A função Frostmatic é usada para fazer a pré-congelação e congelação rápida sequencial no compartimento do congelador. Esta função acelera a congelação de alimentos frescos e, ao mesmo tempo, impede que os alimentos já armazenados aqueçam.



Para congelar alimentos frescos, esta função Frostmatic deve ser ativada pelo menos 24 horas antes de colocar os alimentos na pré-congelação.

1. Para ativar esta função, prima o botão Mode até aparecer o ícone correspondente.

O indicador Frostmatic fica intermitente.

2. Prima o botão OK para confirmar.

O indicador Frostmatic aparece.

Esta função para automaticamente após 52 horas.

Pode desativar a função Frostmatic antes do seu fim automático e repetindo o procedimento até o indicador Frostmatic se apagar ou selecionando uma regulação de temperatura diferente.

4.10 DYNAMICAIR função

O compartimento do frigorífico está equipado com um dispositivo que permite a refrigeração rápida dos alimentos e mantém uma temperatura mais homogénea no compartimento.

Este aparelho ativa-se automaticamente quando necessário ou manualmente.

Para ativar a função:

1. Prima o botão Mode até aparecer o ícone correspondente.
O indicador DYNAMICAIR fica intermitente.
2. Prima o botão OK para confirmar.
O indicador DYNAMICAIR aparece.

Para desativar a função, repita a ação até que o indicador DYNAMICAIR se apague.



Se a função for ativada automaticamente, o indicador DYNAMICAIR não será apresentado (consulte a secção "DYNAMICAIR" em "Utilização diária").
A ativação da função DYNAMICAIR aumenta o consumo de energia.

A ventoinha funciona apenas quando a porta está fechada.

4.11 ChildLock função

Ative a função ChildLock para bloquear os botões contra um funcionamento accidental.

1. Prima o botão Mode até aparecer o ícone correspondente.

O indicador ChildLock fica intermitente.

2. Prima OK para confirmar.

O indicador ChildLock aparece.

Para desativar a função ChildLock, repita a ação até que o indicador de ChildLock se apague.

4.12 DrinksChill função

A função DrinksChill serve para acionar um sinal sonoro após um determinado tempo e é útil, por exemplo, quando uma receita obriga ao arrefecimento de alimentos durante um certo tempo.

Também é útil quando é necessário um aviso para não se esquecer das garrafas ou latas que colocar no congelador para arrefecimento rápido.

1. Prima o botão Mode até aparecer o ícone correspondente.

O indicador DrinksChill fica intermitente.

O temporizador apresenta o valor definido (30 minutos) durante alguns segundos.

2. Prima o regulador do temporizador para alterar o valor definido do temporizador de 1 a 90 minutos.

3. Prima OK para confirmar.

O indicador DrinksChill aparece.

O temporizador começa a piscar (min). No fim da contagem decrescente, o indicador "0 min" fica intermitente e o aparelho emite um aviso sonoro. Prima OK para desligar o som e desativar a função.

Para desativar a função, repita a ação até que o indicador DrinksChill se apague.



É possível alterar o tempo em qualquer momento durante a contagem decrescente e no final, premindo o botão de diminuição da temperatura e o botão de aumento da temperatura.

4.13 Alarme de temperatura alta

Quando existe um aumento da temperatura no compartimento do congelador (por exemplo, devido a uma falha de corrente anterior) as luzes de alarme e de temperatura do congelador ficam intermitentes e o som é ativado. Para desativar o alarme:

1. Prima qualquer botão. O som desliga-se.
2. O indicador de temperatura do congelador apresenta durante alguns segundos a temperatura mais elevada que foi atingida e depois o visor apresenta novamente a temperatura selecionada.

i O indicador de alarme continua a piscar até que as condições normais sejam restabelecidas. Se não premir um botão, o som desliga-se automaticamente depois de cerca de uma hora para evitar incomodar.

4.14 Alarme de porta aberta

Se a porta do frigorífico for deixada aberta durante aproximadamente 5 minutos, o som é ativado e o indicador de alarme fica intermitente.

O alarme para após fechar a porta. Durante o alarme, o som pode ser silenciado premindo qualquer botão.

i Se não premir um botão, o som desliga-se automaticamente depois de cerca de uma hora para evitar incomodar.

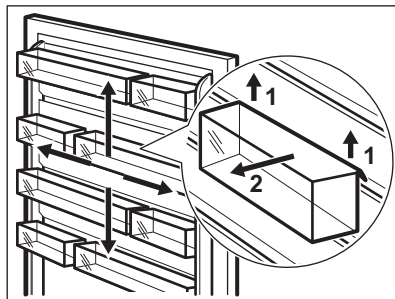
5. UTILIZAÇÃO DIÁRIA

5.1 Posicionar as prateleiras da porta

A porta deste aparelho está equipada com calhas que permitem organizar prateleiras/caixas de acordo com as preferências individuais.

Para reposicionar as prateleiras/caixas da porta:

1. Levante gradualmente a prateleira/caixa na direcção das setas até que ela se desencaixe.
2. Coloque a prateleira/caixa na posição desejada e suavemente introduza-a na calha.



5.2 Prateleiras amovíveis

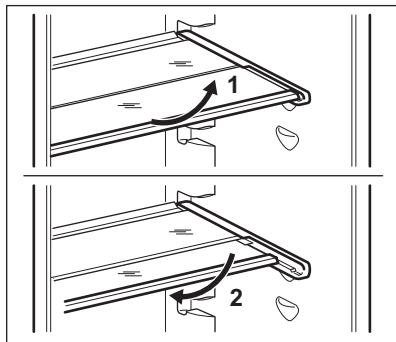
As paredes do frigorífico possuem várias calhas que permitem posicionar as prateleiras conforme pretendido.

Este aparelho está também equipado com uma prateleira que é composta por duas partes. A metade da frente da prateleira pode ser colocada debaixo da

segunda metade para uma melhor utilização do espaço.

Para dobrar a prateleira:

1. Retire a metade da frente com cuidado.
2. Deslize-a pela calha inferior e debaixo da segunda metade.



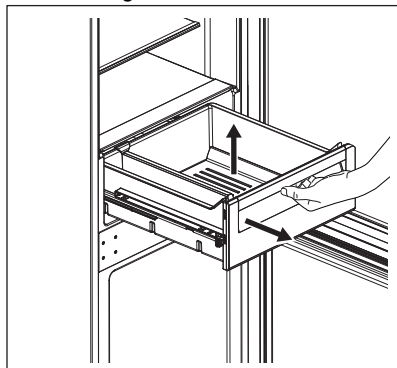
i Não desloque a prateleira de vidro que cobre a gaveta de legumes, para garantir uma circulação de ar correcta.

5.3 Gaveta de legumes

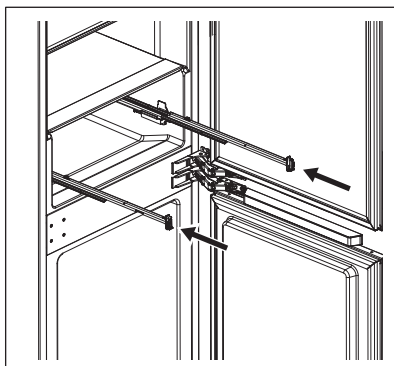
A gaveta é adequada para armazenar fruta e legumes.

Para retirar a gaveta (por exemplo, para limpeza):

1. Puxe a gaveta e levante-a.

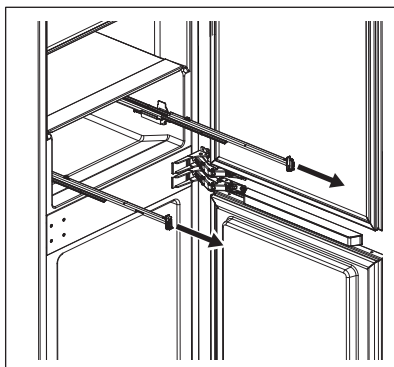


2. Empurre as calhas para dentro do compartimento para evitar danos no aparelho ao fechar a porta.

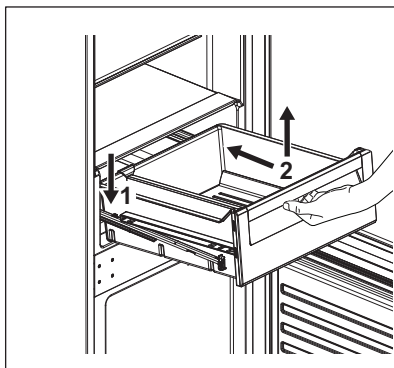


Para voltar a montar:

1. Puxe as calhas.



2. Coloque a parte traseira da gaveta (1) nas calhas.



3. Mantenha a parte dianteira da gaveta (2) levantada enquanto empurra a gaveta para dentro.
4. Prima a parte dianteira da gaveta para baixo.

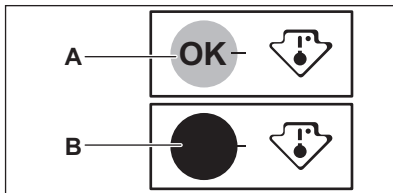
- i** Puxe a gaveta novamente e verifique se está colocada corretamente nos ganchos traseiro e dianteiro.

5.4 Indicador de temperatura

O frigorífico está equipado com um indicador de temperatura para ajudar a garantir um armazenamento correto dos alimentos. O símbolo na parede lateral do aparelho indica a área mais fria do frigorífico.

Se OK for exibido (A), coloque alimentos frescos na área indicada com o símbolo, se não (B), aguarde pelo menos 12 horas e confirme se está OK (A).

Se continuar a não estar OK (B), ajuste o controlo da definição para uma regulação mais fria.

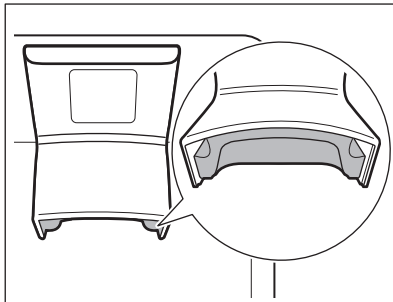


5.5 DYNAMICAIR

O compartimento do frigorífico está equipado com um dispositivo que permite a refrigeração rápida dos alimentos e mantém uma temperatura mais homogênea no compartimento.



AVISO!
Não remova a esferovite no fundo do dispositivo.



Este aparelho ativa-se automaticamente quando necessário.

É também possível ativar o dispositivo manualmente quando necessário (consulte a “função DYNAMICAIR”).



A ventoinha funciona apenas quando a porta está fechada.

5.6 Congelar alimentos frescos

Os compartimentos do congelador são adequados para congelar alimentos frescos e conservar alimentos congelados e ultracongelados a longo prazo.

Para congelar alimentos frescos ative a Frostmatic função pelo menos 24 horas antes de colocar os alimentos a congelar no compartimento do congelador.

Guarde os alimentos frescos uniformemente distribuídos no primeiro compartimento ou gaveta da parte superior.

A quantidade máxima de alimentos que podem ser congelados sem acrescentar outros alimentos durante 24 horas está especificada na placa de classificação (um rótulo situado no interior do aparelho).

Quando o processo de congelação terminar, o aparelho regressa automaticamente à definição de temperatura anterior (consulte a “Função Frostmatic”).

Para obter mais informações, consulte “Sugestões para congelar”.

5.7 Armazenamento de alimentos congelados

Quando ativar o aparelho pela primeira vez ou após um período sem utilização, e antes de colocar os produtos no compartimento, deixe o aparelho funcionar durante pelo menos 3 horas com a função Frostmatic ativada.

As gavetas do congelador permitem encontrar a embalagem que desejar rápida e facilmente.

Se armazenar grandes quantidades de alimentos, retire todas as gavetas e coloque os alimentos nas prateleiras.

Mantenha os alimentos a mais de 15 mm da porta.



CUIDADO!

Em caso de descongelação acidental, por exemplo, devido a uma falha de energia, se a energia faltar durante mais tempo do que o indicado na placa de classificação em "Tempo de autonomia", os alimentos descongelados têm de ser consumidos rapidamente ou cozinhados imediatamente, arrefecidos e novamente congelados. Consulte "Alarme de temperatura alta".

6. SUGESTÕES E CONSELHOS

6.1 Sugestões para poupar energia

- Congelador: A configuração interna do aparelho é a que garante a utilização mais eficiente de energia.
- Frigorífico: A utilização mais eficiente da energia é garantida na configuração com as gavetas na parte inferior do aparelho e nas prateleiras uniformemente distribuídas. O posicionamento das caixas da porta não afeta o consumo de energia.
- Não abra a porta muitas vezes nem a deixe aberta mais tempo do que o necessário.
- Congelador: Quanto mais fria for a regulação da temperatura, mais alto é o consumo de energia.
- Frigorífico: Não regule a temperatura demasiado alta para poupar energia, a menos que seja exigido pelas características dos alimentos.
- Se a temperatura ambiente for alta e o controlo de temperatura se encontrar na regulação de temperatura baixa com o aparelho completamente cheio, o compressor pode funcionar continuamente, causando a formação de gelo no

5.8 Descongelação

Os alimentos ultra congelados ou congelados, antes de serem consumidos, podem ser descongelados no frigorífico ou dentro de um saco plástico com água fria.

Esta operação depende do tempo disponível e do tipo de alimento. Peças pequenas podem ainda ser cozinhadas ainda congeladas.

evaporador. Neste caso, defina o controlo de temperatura para uma temperatura mais alta para permitir a descongelação automática e poupar energia desta forma.


- Garanta uma boa ventilação. Não tape as grelhas ou orifícios de ventilação.
- Certifique-se de que os produtos alimentares no interior do aparelho permitem a circulação do ar através de orifícios dedicados na parte interior traseira do aparelho.

6.2 Sugestões para congelar

- Ative a função Frostmatic pelo menos 24 horas antes de colocar os alimentos no interior do congelador.
- Antes de congelar, embalar e selar os alimentos frescos em: folha de alumínio, película plástica ou sacos, recipientes herméticos com tampa.
- Para uma congelação e descongelação mais eficientes, divida os alimentos em pequenas porções.
- Recomenda-se que coloque etiquetas e datas em todos os seus alimentos congelados. Isto irá ajudá-lo a identificar os alimentos e a saber

- quando devem ser consumidos antes da sua deterioração.
- Os alimentos devem ser frescos quando são congelados para preservar a boa qualidade. Especialmente fruta e legumes devem ser congelados depois da colheita para preservar todos os seus nutrientes.
 - Não congele garrafas ou latas com líquidos, em particular bebidas que contenham dióxido de carbono - podem explodir durante a congelação.
 - Não coloque alimentos quentes no congelador. Arrefeça à temperatura ambiente antes de os colocar no interior do compartimento.
 - Para evitar a subida da temperatura de alimentos já congelados, não coloque alimentos frescos não congelados diretamente próximos daqueles. Coloque os alimentos à temperatura ambiente na parte do congelador onde não existam alimentos congelados.
 - Não coma cubos de gelo, gelados com água ou gelados de gelo imediatamente após tirá-los do congelador. Risco de queimadura por frio.
 - Não volte a congelar alimentos descongelados. Se os alimentos tiverem descongelado, cozinhe-os, arrefeça-os e, seguidamente, congele-os.

6.3 Sugestões para armazenamento de alimentos congelados

- O compartimento do congelador é o assinalado com .
- A regulação de uma boa temperatura que assegura a preservação de produtos alimentares congelados deve ser igual ou inferior a -18 °C.

- A regulação de uma temperatura mais alta no interior do aparelho pode levar a uma duração mais curta.
- Todo o compartimento do congelador é adequado ao armazenamento de produtos alimentares congelados.
 - Deixe espaço suficiente em torno dos alimentos para permitir que o ar circule livremente.
 - Para um armazenamento adequado, consulte o rótulo da embalagem dos alimentos para ver a respetiva validade.
 - É importante envolver os alimentos de forma a prevenir que água, humidade ou condensação entrem no interior.

6.4 Dicas para compras

Após as compras de mercearia:

- Garanta que a embalagem não está danificada - os alimentos poderiam estar deteriorados. Se a embalagem estiver inchada ou húmida, pode não ter sido armazenada nas condições ideais e a descongelação pode já ter sido iniciada.
- Para limitar o processo de descongelação, compre os produtos congelados no fim das suas compras e transporte-os num saco térmico e isolado.
- Coloque os alimentos congelados imediatamente no congelador depois de voltar da loja.
- Se os alimentos tiverem descongelado, mesmo que parcialmente, não os volte a congelar. Consuma-os o mais brevemente possível.
- Respeite a data de validade e a informação de armazenamento na embalagem.

6.5 Validade para o compartimento do congelador

Tipo de alimento	Validade (meses)
Pão	3


Tipo de alimento	Validade (meses)
Fruta (exceto citrinos)	6 - 12
Legumes	8 - 10
Restos sem carne	1 - 2
Laticínios:	
Manteiga	6 - 9
Queijo mole (por exemplo, mozzarella)	3 - 4
Queijo duro (por exemplo, parmesão, cheddar)	6
Marisco:	
Peixe gordo (por exemplo, salmão, cavala)	2 - 3
Peixe magro (por exemplo, bacalhau, linguado)	4 - 6
Camarão	12
Amêijoas e mexilhões sem casca	3 - 4
Peixe cozinhado	1 - 2
Carne:	
Aves	9 - 12
Vaca	6 - 12
Porco	4 - 6
Borrego	6 - 9
Salsichas	1 - 2
Presunto	1 - 2
Restos com carne	2 - 3

6.6 Sugestões para refrigeração de alimentos frescos

- A regulação de uma boa temperatura que assegura a preservação de alimentos frescos é uma temperatura igual ou inferior a +4°C. A regulação de uma temperatura mais alta no interior do aparelho pode levar a uma duração mais curta dos alimentos.
- Tape os alimentos com a embalagem para preservar a sua frescura e aroma.
- Utilize sempre recipientes fechados para líquidos e alimentos, para evitar sabores ou aromas no compartimento.
- Para evitar a contaminação cruzada entre alimentos cozinhados e crus, cubra os alimentos cozinhados e separe-os dos crus.

- Recomenda-se que descongele os alimentos no interior do frigorífico.
- Não coloque alimentos quentes no interior do aparelho. Certifique-se de que arrefeceram à temperatura ambiente antes de os inserir.
- Para prevenir desperdício alimentar, o novo abastecimento de alimentos deve ser colocado sempre por trás do antigo.

6.7 Conselhos para a refrigeração de alimentos

- A gaveta de alimentos frescos é a indicada (na placa de características) com .
- Carne (todos os tipos): embale em embalagens adequadas e coloque na prateleira de vidro por cima da gaveta de legumes. A carne conserva-se por 1 ou 2 dias no máximo.
- Fruta e legumes: limpe cuidadosamente (eliminar a sujidade)

- e coloque numa gaveta especial (gaveta para legumes).
- Aconselha-se a não manter fruta exótica como bananas, mangas, papaias, etc., no frigorífico.
 - Os legumes como tomates, batatas, cebolas e alho não devem ser mantidos no frigorífico.
 - Manteiga e queijo: coloque num recipiente hermético ou embale em folha de alumínio ou sacos de polieteno para excluir o máximo de ar possível.
 - Garrafas: feche-as com uma tampa e coloque-as na prateleira de garrafas

- da porta ou (se disponível) noutra prateleira de garrafas.
- Para acelerar o arrefecimento dos artigos, aconselha-se que ative a ventoinha. A ativação de DYNAMICAIR permite uma maior homogeneização das temperaturas internas.
- Consulte sempre a data de validade dos produtos para saber quanto tempo os manter.

7. CUIDADOS E LIMPEZA



AVISO!
Consulte os capítulos de Segurança.

7.1 Como limpar o interior

Antes de usar o aparelho pela primeira vez, o interior e todos os acessórios interiores devem ser lavados com água morna e sabão neutro, para remover o cheiro típico de um produto novo; secar muito bem.



CUIDADO!
Não usar detergentes, pós abrasivos, cloro ou produtos de limpeza à base de óleos; este tipo de produtos danificam o acabamento.



CUIDADO!
Os acessórios e as peças do aparelho não são adequados para lavagem em máquinas de lavar loiça.

7.2 Limpeza periódica

O equipamento tem de ser limpo regularmente:

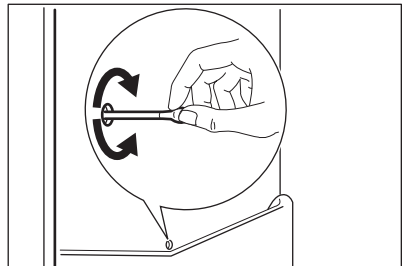
1. Limpe o interior e os acessórios com água morna e um pouco de detergente neutro.
2. Verifique regularmente os vedantes da porta e limpe-os para garantir que estão limpos e sem resíduos.
3. Enxágue e seque cuidadosamente.

7.3 Descongelação do frigorífico

O gelo é eliminado automaticamente do evaporador do compartimento do frigorífico durante a utilização normal. A água da descongelação é escoada através de uma calha para um recipiente especial na parte de trás do aparelho, sobre o compressor do motor, onde evapora.

É importante limpar periodicamente o orifício de escoamento da água da descongelação, a meio do canal do compartimento do frigorífico, para evitar que a água transborde para a comida que se encontra no seu interior.

Para este efeito, utilize o dispositivo de limpeza de tubos fornecido com o aparelho.



7.4 Descongelar o congelador

O compartimento do congelador é do tipo "frost free". Isto significa que não há qualquer formação de gelo durante o seu funcionamento, tanto nas paredes interiores como nos alimentos.

7.5 Período de inatividade

Quando não pretender utilizar o aparelho durante bastante tempo, adopte as seguintes precauções:

1. Desligue o aparelho da alimentação elétrica.
2. Retire todos os alimentos.
3. Limpe o aparelho e todos os acessórios.
4. Deixe as portas abertas para evitar cheiros desagradáveis.

8. RESOLUÇÃO DE PROBLEMAS



AVISO!




Consulte os capítulos de Segurança.

8.1 O que fazer se...

Problema	Causa possível	Solução
O aparelho não funciona.	O aparelho está desligado.	Ligar o aparelho.
	A ficha elétrica não está corretamente inserida na tomada.	Inserir corretamente a ficha na tomada elétrica.
	Não há tensão na tomada elétrica.	Ligue um aparelho elétrico diferente à tomada elétrica. Contacte um electricista qualificado.
O aparelho emite demasiado ruído.	O aparelho não está apoiado corretamente.	Verifique se o aparelho se mantém estável.
O aviso acústico ou visual está ligado.	O aparelho foi ligado há pouco tempo.	Consulte "Alarme de temperatura alta" ou "Alarme de porta aberta".
	A temperatura no aparelho está demasiado elevada.	Consulte "Alarme de temperatura alta" ou "Alarme de porta aberta".
	A porta está aberta.	Feche a porta.
O compressor funciona continuamente.	A temperatura não está definida corretamente.	Consulte o capítulo "Painel de comandos".
	Há demasiados alimentos guardados ao mesmo tempo.	Aguardar algumas horas e verificar novamente a temperatura.
	A temperatura ambiente está demasiado elevada.	Consulte o capítulo "Instalação".

Problema	Causa possível	Solução
	Os alimentos guardados no aparelho estavam demasiado quentes.	Deixar os alimentos arrefecer até à temperatura ambiente antes de os guardar.
	A porta não fecha bem.	Consulte a secção "Fechar a porta".
	A função Frostmatic está ligada.	Consultar a secção "Função Frostmatic".
	A função Coolmatic está ligada.	Consultar a secção "Função Coolmatic".
O compressor não arranca imediatamente após o botão "Frostmatic" ou "Coolmatic" ser premido ou após uma alteração da regulação de temperatura.	O compressor começa a funcionar passado algum tempo.	Isto é normal e não ocorreu qualquer erro.
A porta está desnivelada ou interfere com a grelha de ventilação.	O aparelho não está nivelado.	Consulte as instruções de instalação.
A porta não abre facilmente.	Tentou reabrir a porta imediatamente após a fechar.	Aguardar alguns segundos depois de fechar antes de reabrir a porta.
A lâmpada não funciona.	A lâmpada está em modo de espera.	Fechar e abrir a porta.
	A luz está avariada.	Contacte o Centro de Assistência Técnica Autorizado mais próximo.
Demasiado gelo.	A porta não está bem fechada.	Consulte a secção "Fechar a porta".
	A junta está deformada ou suja.	Consulte a secção "Fechar a porta".
	Os alimentos não estão bem embalados.	Embarcar melhor os alimentos.
	A temperatura não está definida corretamente.	Consulte o capítulo "Painel de comandos".
	O aparelho está totalmente carregado mas regulado para a temperatura mais baixa.	Definir uma temperatura mais alta. Consulte o capítulo "Painel de comandos".

Problema	Causa possível	Solução
	A temperatura no aparelho está definida demasiado baixa e a temperatura ambiente demasiado alta.	Definir uma temperatura mais alta. Consulte o capítulo "Painel de comandos".
Há água a escorrer na placa traseira do frigorífico.	Durante o processo de descongelação automática, o gelo descongela na placa traseira.	Isto está correto.
Existe demasiada água condensada na parede traseira do frigorífico.	A porta foi aberta demasiadas vezes.	Abriu a porta apenas quando é mesmo necessário.
	A porta não fecha totalmente.	Verificar se a porta está totalmente fechada.
	Os alimentos guardados não estão embalados.	Coloque os alimentos em embalagens adequadas antes de os guardar no aparelho.
Há água a escorrer no interior do frigorífico.	Existem alimentos a impedir que a água esorra para o coletor da água.	Verificar se os alimentos não estão a tocar na placa traseira.
	A saída da água está obstruída.	Limpe a saída de água.
Há água a escorrer para o chão.	A saída da água descongelada não está ligada ao tabuleiro de evaporação, por cima do compressor.	Encaixe a saída de água descongelada no tabuleiro de evaporação.
Não é possível definir a temperatura.	A Frostmatic função ou Coolmatic está ativada.	Desative a função Frostmatic ou a função Coolmatic manualmente ou aguarde que a função se desative automaticamente para regular a temperatura. Consulte a secção da "função Frostmatic" ou da "função Coolmatic".
A temperatura no aparelho está demasiado baixa/alta.	A temperatura não está definida corretamente.	Definir uma temperatura mais baixa/alta.
	A porta não está bem fechada.	Consulte a secção "Fechar a porta".

Problema	Causa possível	Solução
	A temperatura dos alimentos é muito alta.	Deixar arrefecer a temperatura dos alimentos até à temperatura ambiente antes de os guardar.
	Demasiados alimentos guardados ao mesmo tempo.	Guardar menos alimentos ao mesmo tempo.
	A porta foi aberta muitas vezes.	Abrir a porta apenas se necessário.
	A função Frostmatic está ligada.	Consultar a secção "Função Frostmatic".
	A função Coolmatic está ligada.	Consultar a secção "Função Coolmatic".
	Não há circulação de ar frio no aparelho.	Certifique-se de que existe circulação de ar frio no aparelho. Consulte o capítulo "Sugestões e conselhos".
DEMO aparece no visor.	O aparelho está em modo de demonstração.	Para sair do modo de demonstração, prima sem soltar o botão OK durante cerca de 10 segundos até ouvir um som longo e o visor se desligar por um curto período de tempo.
Um símbolo  ou  ou  é apresentado em vez de números no visor da temperatura.	Problema no sensor de temperatura.	Contactar o Centro de Assistência Técnica Autorizado mais próximo. O sistema de refrigeração irá continuar a manter os produtos alimentares frios, mas a regulação da temperatura não será possível.



Se estes conselhos não resultarem, contacte o Centro de Assistência Técnica Autorizado mais próximo.

8.2 Substituir a lâmpada

O aparelho está equipado com uma luz interior LED de longa duração.

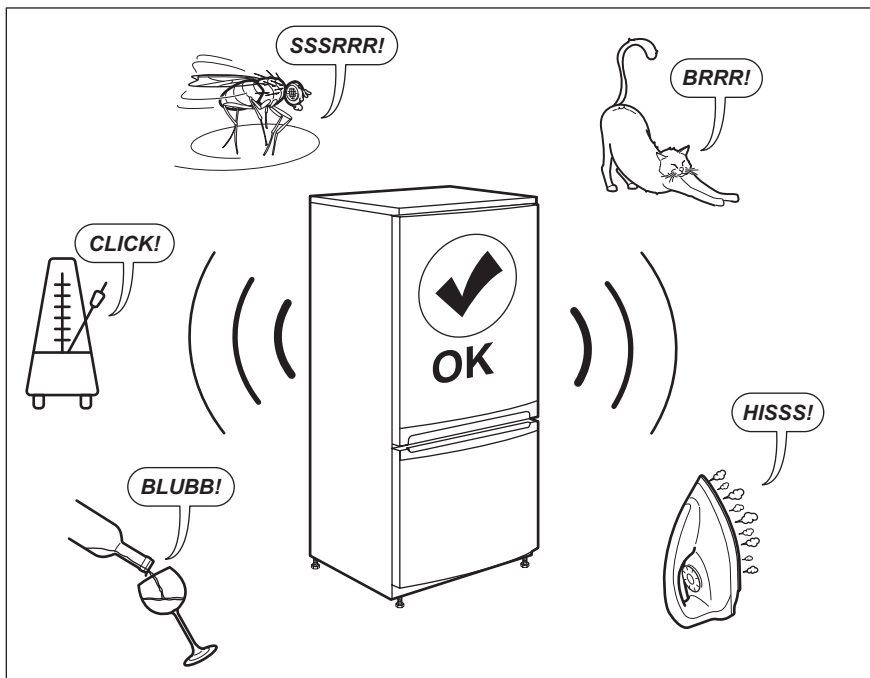
Apenas a assistência técnica pode substituir o dispositivo de iluminação.

Contacte um Centro de Assistência Técnica Autorizado.

8.3 Fechar a porta

1. Limpe as juntas da porta.
2. Se necessário, ajuste a porta. Consulte as instruções de instalação.
3. Se necessário, substitua as juntas da porta defeituosas. Contacte um Centro de Assistência Técnica Autorizado

9. RUÍDOS



10. INFORMAÇÃO TÉCNICA

As informações técnicas encontram-se na placa de características existente no lado interno do aparelho e na etiqueta de energia.

O código QR na etiqueta de energia fornecida com o aparelho disponibiliza-lhe uma ligação da web para a informação relacionada com o desempenho do aparelho na base de dados da EU EPREL. Mantenha a etiqueta de energia para consulta juntamente com o manual do utilizador e

todos os outros documentos disponibilizados com este aparelho.

É também possível encontrar a mesma informação na EPREL utilizando a ligação <https://eprel.ec.europa.eu> e o nome do modelo e o número do produto que encontra na placa de características do aparelho.


Consulte a ligação www.theenergylabel.eu para informação detalhada sobre a etiqueta de energia.


11. INFORMAÇÃO PARA INSTITUTOS DE TESTE

A instalação e preparação do aparelho para qualquer verificação EcoDesign deve estar em conformidade com EN 62552 (EU). Os requisitos de ventilação, dimensões de encaixe e folgas traseiras mínimas deverão ser conforme

declarado neste Manual do Utilizador em "Instalação". Contacte o fabricante para quaisquer informações adicionais, incluindo planos de carga.

12. PREOCUPAÇÕES AMBIENTAIS

Recicle os materiais que apresentem o símbolo . Coloque a embalagem nos contentores indicados para reciclagem. Ajude a proteger o ambiente e a saúde pública através da reciclagem dos aparelhos eléctricos e electrónicos. Não elimine os aparelhos que tenham o

símbolo  juntamente com os resíduos domésticos. Coloque o produto num ponto de recolha para reciclagem local ou contacte as suas autoridades municipais.

CONTENIDO

1. INFORMACIÓN SOBRE SEGURIDAD.....	48
2. INSTRUCCIONES DE SEGURIDAD.....	51
3. INSTALACIÓN.....	53
4. PANEL DE CONTROL.....	56
5. USO DIARIO.....	59
6. CONSEJOS.....	62
7. CUIDADO Y LIMPIEZA.....	65
8. SOLUCIÓN DE PROBLEMAS.....	66
9. RUIDOS.....	70
10. DATOS TÉCNICOS.....	70
11. INFORMACIÓN PARA INSTITUTOS DE PRUEBAS.....	70
12. ASPECTOS MEDIOAMBIENTALES.....	71

PARA UNOS RESULTADOS PERFECTOS

Gracias por elegir este producto AEG. Lo hemos creado para brindarle un rendimiento impecable durante muchos años, con tecnologías innovadoras que lo ayudan a simplificar la vida, características que quizás no encuentre en los electrodomésticos comunes. Dedique unos minutos a leer este documento para sacarle el máximo partido.

Visite nuestro sitio web para:



Obtener consejos, folletos, soluciones a problemas e información de servicio y reparación:

www.aeg.com/support



Registrar su producto para recibir un mejor servicio:

www.registreaeg.com



Comprar accesorios, artículos de consumo y piezas de recambio originales para su aparato:

www.aeg.com/shop

ATENCIÓN AL CLIENTE Y SERVICIO

Le recomendamos que utilice recambios originales.

Cuando se ponga en contacto con nuestro Centro de servicio técnico, asegúrese de tener los siguientes datos disponibles: Modelo, código numérico del producto (PNC), número de serie.

La información se encuentra en la placa de características.

 Advertencia / Precaución - Información sobre seguridad

 Información general y consejos

 Información relativa al medioambiente

Salvo modificaciones.

1. INFORMACIÓN SOBRE SEGURIDAD

Antes de instalar y utilizar el aparato, lea atentamente las instrucciones facilitadas. El fabricante no se hace

responsable de lesiones o daños producidos como resultado de una instalación o un uso incorrectos. Conserve siempre estas instrucciones en lugar seguro y accesible para futuras consultas.

1.1 Seguridad de niños y personas vulnerables

- Este aparato puede ser utilizado por niños de 8 años en adelante y personas cuyas capacidades físicas, sensoriales o mentales estén disminuidas o que carezcan de la experiencia y conocimientos suficientes para manejarlo, siempre que cuenten con las instrucciones o la supervisión sobre el uso del electrodoméstico de forma segura y comprendan los riesgos. Los niños de 3 a 8 años y las personas con discapacidades muy extensas y complejas pueden cargar y descargar el aparato siempre que hayan sido debidamente instruidos. Es necesario mantener alejados del aparato a los niños de menos de 3 años salvo que estén bajo supervisión continua.
- Es necesario vigilar a los niños para que no jueguen con el aparato.
- La limpieza y mantenimiento de usuario del producto no podrán ser realizados por niños sin supervisión.
- Mantenga todo el material de embalaje fuera del alcance de los niños y deséchelo de forma adecuada.

1.2 Instrucciones generales de seguridad

- Este aparato está diseñado únicamente para almacenar alimentos y bebidas.
- Este aparato está diseñado para uso doméstico en interiores.
- Este aparato se puede utilizar en oficinas, habitaciones de hotel, habitaciones de Bed&Breakfast, casas de campo y otros alojamientos similares donde dicho uso no exceda (en promedio) los niveles de uso doméstico.
- Para evitar la contaminación alimentaria, respete las siguientes instrucciones:

- no abra la puerta durante largos periodos de tiempo;
- limpie regularmente las superficies que pueden entrar en contacto con los alimentos y los sistemas de drenaje accesibles;
- guarde la carne y el pescado crudos en recipientes adecuados en el frigorífico, de manera que no estén en contacto con otros alimentos ni goteen sobre ellos.
- ADVERTENCIA: Mantenga libres de obstrucciones las aberturas de ventilación del alojamiento del aparato o de la estructura empotrada.
- ADVERTENCIA: No utilice dispositivos mecánicos u otros medios para acelerar el proceso de descongelación, excepto los recomendados por el fabricante.
- ADVERTENCIA: No dañe el circuito de refrigerante.
- ADVERTENCIA: No utilice aparatos eléctricos dentro de los compartimentos de almacenamiento de alimentos del aparato, a menos que sean del tipo recomendado por el fabricante.
- No utilice agua pulverizada ni vapor para limpiar el aparato.
- Limpie el aparato con un paño suave humedecido. Utilice solo detergentes neutros. No utilice productos abrasivos, estropajos duros, disolventes ni objetos de metal.
- Cuando el aparato esté vacío durante un largo período, apáguelo, descongélelo, límpielo, séquelo y deje la puerta abierta para evitar que se desarrolle moho en el interior del aparato.
- No almacene sustancias explosivas tales como latas de aerosol con un propulsor inflamable en este aparato.
- Si el cable de alimentación sufre algún daño, el fabricante, su servicio técnico autorizado o un profesional tendrán que cambiarlo para evitar riesgos.

2. INSTRUCCIONES DE SEGURIDAD

2.1 Instalación



ADVERTENCIA!

Solo un técnico cualificado puede instalar el aparato.

- Retire todo el embalaje.
- No instale ni utilice un aparato dañado.
- No utilice el aparato antes de instalarlo en la estructura empotrada por motivos de seguridad.
- Siga las instrucciones de instalación suministradas con el aparato.
- Tenga cuidado al mover el aparato, porque es pesado. Utilice siempre guantes de protección y calzado cerrado.
- Asegúrese de que el aire pueda circular alrededor del aparato.
- En la primera instalación otras invertir el sentido de apertura de la puerta, espere al menos 4 horas antes de conectar el aparato a la alimentación eléctrica. Esto es para permitir que el aceite regrese al compresor.
- Desenchufe siempre el aparato antes de llevar a cabo cualquier operación, por ejemplo cambiar el sentido de apertura de la puerta.
- No instale el aparato cerca de radiadores, cocinas, hornos o placas de cocción, a menos que se especifique lo contrario en las instrucciones de instalación.
- No exponga el aparato a la lluvia.
- No instale el aparato en lugares con luz solar directa.
- No instale este aparato en áreas excesivamente húmedas o frías.
- Cuando mueva el aparato, levántelo por el borde delantero para evitar rayar el suelo.
- El aparato contiene una bolsa de desecante. No se trata de un juguete. No es un alimento. No olvide desecharlo inmediatamente.

2.2 Conexión eléctrica



ADVERTENCIA!

Riesgo de incendios y descargas eléctricas.



ADVERTENCIA!

Al colocar el producto, asegúrese de que el cable de alimentación no queda atrapado o doblado.



ADVERTENCIA!

No utilice adaptadores múltiples ni cables prolongadores.

- El aparato debe conectarse a tierra.
- Asegúrese de que los parámetros de la placa de características son compatibles con los valores eléctricos del suministro eléctrico.
- Utilice siempre una toma con aislamiento de conexión a tierra correctamente instalada.
- Asegúrese de no provocar daños en los componentes eléctricos (p. ej., enchufe, cable de alimentación, compresor). Póngase en contacto con el Centro de servicio autorizado o un electricista para cambiar los componentes eléctricos.
- El cable de alimentación debe permanecer por debajo del nivel del enchufe.
- Conecte el enchufe a la toma de corriente únicamente cuando haya terminado la instalación. Asegúrese de tener acceso al enchufe del suministro de red una vez finalizada la instalación.
- No desconecte el aparato tirando del cable de conexión a la red. Tire siempre del enchufe.

2.3 Uso



ADVERTENCIA!

Existe riesgo de lesiones, quemaduras, descargas eléctricas o incendios.



El aparato contiene un gas inflamable, isobutano (R600a), un gas natural con alto grado de compatibilidad medioambiental. Tenga cuidado para no dañar el circuito de refrigerante que contiene isobutano.

- No cambie las especificaciones de este aparato.
- Está estrictamente prohibido usar el producto incorporado de forma autónoma.
- No utilice otros aparatos eléctricos (como máquinas de hacer helados) dentro de aparatos de refrigeración, salvo que el fabricante haya autorizado su utilización.
- Si se daña el circuito de refrigerante, asegúrese de que no haya llamas ni fuentes de ignición en la sala. Ventile la sala.
- No deje que los objetos calientes toquen las partes de plástico del aparato.
- No coloque refrescos en el congelador. De esta forma se creará presión en el contenedor de bebidas.
- No almacene gases ni líquidos inflamables en el aparato.
- No coloque productos inflamables o artículos mojados con productos inflamables dentro, cerca o sobre el aparato.
- No toque el compresor ni el condensador. Están calientes.
- No retire ni toque elementos del compartimento del congelador si sus manos están mojadas o húmedas.
- No vuelva a congelar los alimentos que se hayan descongelado.
- Siga las instrucciones del envase de los alimentos congelados.
- Envuelva los alimentos en cualquier material adecuado antes de ponerlos en el congelador.
- No permita que los alimentos entren en contacto con las paredes interiores de los compartimentos del aparato.

2.4 Iluminación interna



ADVERTENCIA!
Riesgo de descarga eléctrica.

- Este producto contiene una o más fuentes de luz con clase de eficiencia energética F.
- En cuanto a la(s) bombilla(s) de este producto y las de repuesto vendidas por separado: Estas bombillas están destinadas a soportar condiciones físicas extremas en los aparatos

domésticos, como la temperatura, la vibración, la humedad, o están destinadas a señalar información sobre el estado de funcionamiento del aparato. No están destinadas a utilizarse en otras aplicaciones y no son adecuadas para la iluminación de estancias domésticas.

2.5 Mantenimiento y limpieza



ADVERTENCIA!
Podría sufrir lesiones o dañar el aparato.

- Antes de proceder con el mantenimiento, apague el aparato y desconecte el enchufe de la red.
- Este equipo contiene hidrocarburos en la unidad de refrigeración. Solo una persona cualificada debe realizar el mantenimiento y la recarga de la unidad.
- Examine periódicamente el desagüe del aparato y límpielo si fuera necesario. Si el desagüe se bloquea, el agua descongelada se acumulará en la base del aparato.

2.6 Asistencia técnica

- Para reparar el aparato, póngase en contacto con el centro de servicio autorizado. Utilice solamente piezas de recambio originales.
- Tenga en cuenta que la autorreparación o la reparación no profesional puede tener consecuencias de seguridad y podría anular la garantía.
- Los siguientes repuestos están disponibles al menos durante 7 años después de que el modelo se haya retirado del mercado: termostatos, sensores de temperatura, placas de circuito impreso, fuentes de luz, manijas de puertas, bisagras de puertas, bandejas y cestas. Las juntas de las puertas están disponibles al menos durante 10 años tras la retirada del modelo. La duración puede ser mayor en su país. Visite nuestro sitio web para obtener más información.
- Tenga en cuenta que algunas de estas piezas de recambio solo están disponibles para los reparadores

profesionales, y que no todas las piezas de recambio son relevantes para todos los modelos.

2.7 Desecho



ADVERTENCIA!

Existe riesgo de lesiones o asfixia.

- Desconecte el aparato de la red.
- Corte el cable de conexión a la red y deséchelo.
- Retire la puerta para evitar que los niños y las mascotas queden encerrados en el aparato.

- El circuito del refrigerante y los materiales aislantes de este aparato no dañan la capa de ozono.
- La espuma aislante contiene gas inflamable. Póngase en contacto con las autoridades locales para saber cómo desechar correctamente el aparato.
- No dañe la parte de la unidad de refrigeración que está cerca del intercambiador de calor.

3. INSTALACIÓN



ADVERTENCIA!

Consulte los capítulos sobre seguridad.



ADVERTENCIA!

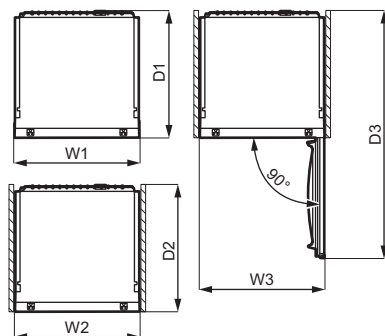
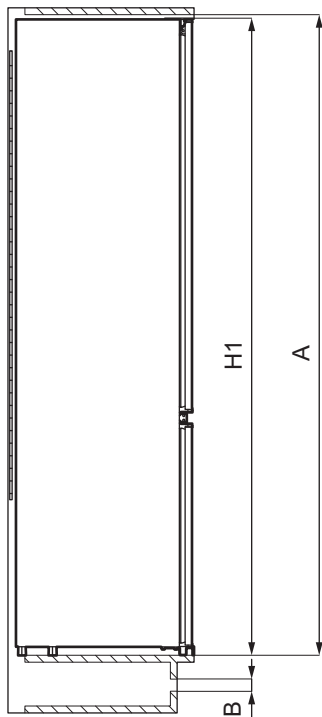
Consulte el documento de instrucciones de instalación para instalar su aparato.



ADVERTENCIA!

Fije el aparato de acuerdo con las instrucciones de instalación para evitar el riesgo de inestabilidad.

3.1 Dimensiones



Dimensiones generales ¹		
H1	mm	1884
W1	mm	546
D1	mm	549

¹ la altura, anchura y profundidad del aparato sin el asa

Espacio necesario en uso ²		
H2 (A+B)	mm	1936
W2	mm	546
D2	mm	551
A	mm	1894
B	mm	36

² la altura, anchura y profundidad del aparato, incluyendo la manija, más el espacio necesario para la libre circulación del aire de refrigeración

Espacio total necesario en uso ³		
H3 (A+B)	mm	1936
W3	mm	546
D3	mm	1068

³ la altura, anchura y profundidad del aparato, incluido el mango, más el espacio necesario para la libre circulación del aire de refrigeración, más el espacio necesario para permitir la apertura de la puerta hasta el ángulo mínimo que permita la extracción de todo el equipo interno

3.2 Ubicación

Para garantizar el mejor funcionamiento del aparato, no debe instalarlo en las proximidades de la fuente de calor (horno, estufas, radiadores, cocinas o fogones) ni en un lugar con luz solar directa. No instale el aparato cerca de radiadores, cocinas, hornos o placas de cocción, a menos que se especifique lo contrario en las instrucciones de instalación.

Asegúrese de que el aire pueda circular libremente alrededor de la parte posterior del armario.

Este aparato debe instalarse en una ubicación interior seca y bien ventilada.

Este aparato está destinado a ser utilizado a una temperatura ambiente que oscila entre 10°C y 43°C.

i Solo se puede garantizar el correcto funcionamiento del aparato dentro del rango de temperatura especificado.

i Si tiene cualquier duda respecto al lugar de instalación del aparato, consulte al vendedor, a nuestro servicio de atención al cliente o al centro de servicio autorizado más cercano.

i Puede que en algún momento sea necesario desconectar el aparato de la toma de corriente. Por lo que el enchufe debe quedar accesible tras la instalación del aparato.

3.3 Conexión eléctrica

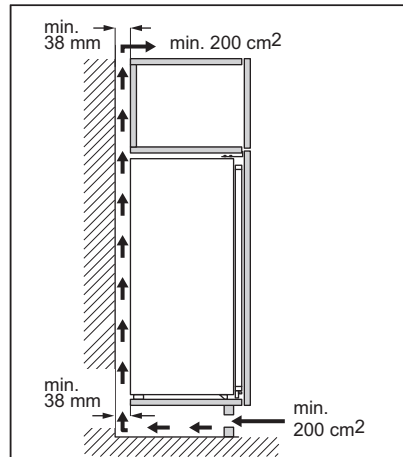
- Antes de enchufarlo, asegúrese de que la tensión y la frecuencia indicadas en la placa de características se correspondan con la fuente de alimentación doméstica.
- El aparato debe estar conectado a tierra. El enchufe del cable de alimentación se suministra con un

contacto para este fin. Si la toma de corriente doméstica no está conectada a tierra, conecte el aparato a una toma de tierra independiente de acuerdo con la normativa vigente, con el asesoramiento de un electricista cualificado.

- El fabricante declina toda responsabilidad si no se respetan las precauciones de seguridad anteriores.

3.4 Requisitos de ventilación

El flujo de aire detrás del aparato debe ser suficiente.



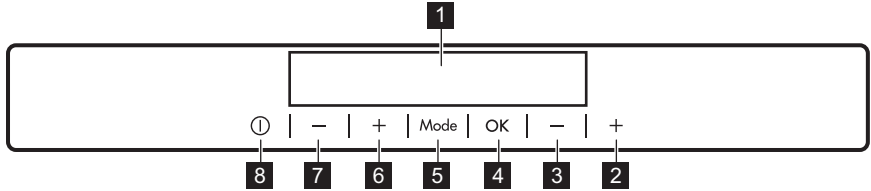
! **PRECAUCIÓN!** Consulte las instrucciones para realizar la instalación.

3.5 Cambio del sentido de apertura de la puerta

Consulte el documento separado con instrucciones de instalación y de inversión de la puerta.

! **PRECAUCIÓN!** En todas las fases del cambio de sentido de la puerta, proteja la puerta de arañazos con un material resistente.

4. PANEL DE CONTROL



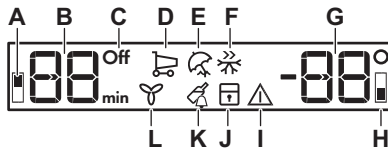
- 1** Pantalla
- 2** Tecla de calentamiento de temperatura del congelador
- 3** Tecla de enfriamiento de temperatura del congelador
- 4** OK
- 5** Mode
- 6** Tecla de calentamiento de temperatura del frigorífico

- 7** Tecla de enfriamiento de temperatura del frigorífico

8 ON/OFF

Se puede cambiar el sonido predefinido de las teclas manteniendo pulsadas al mismo tiempo unos segundos la tecla Mode y la de enfriamiento de temperatura. El cambio es reversible.

4.1 Pantalla



- A. Indicador del compartimento frigorífico
- B. Indicador de temporizador /Indicador de temperatura
- C. ON/OFF indicador
- D. Coolmatic función
- E. Modo Holiday
- F. Función Frostmatic
- G. Indicador de temperatura
- H. Indicador del compartimento congelador
- I. Indicador de alarma
- J. Función ChildLock
- K. Función DrinksChill
- L. Función DYNAMICAIR

4.2 Encendido

1. Enchufe el aparato a la toma de corriente.
2. Pulse ON/OFF en el aparato si la pantalla está apagada. Los indicadores de temperatura muestran la temperatura programada por defecto.

Para seleccionar un ajuste de temperatura diferente, consulte "Regulación de temperatura".

Si "dEMo" aparece en la pantalla, consulte "Solución de problemas".

4.3 Apagado

1. Pulse ON/OFF en el aparato durante 3 segundos. La pantalla se apaga.
2. Desenchufe el aparato de la toma de corriente.

4.4 Regulación de temperatura

Ajuste la temperatura del aparato pulsando los reguladores de temperatura.

La temperatura recomendada es:

- +4 °C para el frigorífico
- -18 °C para el congelador

El rango de temperatura puede variar entre -15 °C y -24 °C para el congelador y entre 2 °C y 8 °C para el frigorífico.

Los indicadores de temperatura muestran la temperatura programada.



La temperatura programada se alcanza en un plazo de 24 horas.

Después de un corte del suministro eléctrico, la temperatura ajustada permanece almacenada.

4.5 Encendido del frigorífico

Para encender el frigorífico basta con pulsar el regulador de temperatura. Para encender el frigorífico de otra forma:

1. Pulse Mode hasta que aparezca el icono correspondiente.
El indicador OFF del frigorífico parpadea.
2. Pulse OK para confirmar.
El indicador OFF del frigorífico se apaga y el compartimento frigorífico se enciende.



Para seleccionar un ajuste de temperatura diferente, consulte "Regulación de temperatura".

4.6 Apagado del frigorífico

Es posible apagar solo el compartimento frigorífico manteniendo el congelador encendido.

1. Pulse Mode hasta que aparezca el indicador del compartimento frigorífico.
Parpadean el indicador OFF del frigorífico y el indicador del compartimento frigorífico.
El indicador de temperatura del frigorífico muestra guiones.
2. Pulse OK para confirmar.

Se muestra el indicador de frigorífico OFF y el compartimento de frigorífico se apaga.

4.7 Coolmatic función

Si necesita introducir en el compartimento frigorífico una gran cantidad de alimentos calientes, por ejemplo después de hacer la compra, se aconseja activar la función Coolmatic para enfriar los productos más rápidamente y evitar que suba la temperatura de los alimentos que ya están almacenados en el frigorífico.

1. Pulse Mode hasta que aparezca el icono correspondiente.
El indicador Coolmatic parpadea.
2. Pulse OK para confirmar.
Aparece el indicador Coolmatic. Cuando la Coolmatic función está activada, el ventilador puede funcionar automáticamente.
Esta función se detiene automáticamente después de unas 24 horas.

Puede desactivar la función Coolmatic antes de que finalice automáticamente repitiendo el procedimiento o seleccionando una temperatura de ajuste diferente del frigorífico.

4.8 Modo Holiday

Este modo permite mantener el compartimento frigorífico vacío durante un largo periodo vacacional reduciendo la formación de malos olores mientras el compartimento del congelador funciona normalmente.

1. Pulse Mode hasta que aparezca el icono correspondiente.
El indicador Holiday parpadea. El indicador de temperatura muestra la temperatura seleccionada.
2. Pulse OK para confirmar.
Aparece el indicador Holiday.



Este modo se apaga seleccionando una temperatura programada diferente.

4.9 Frostmatic función

La función Frostmatic se utiliza para realizar primero una congelación previa y después una congelación rápida del compartimento congelador. Esta función acelera la congelación de alimentos frescos e impide que se calienten los alimentos ya almacenados.



Para congelar alimentos frescos, active la función Frostmatic al menos 24 horas antes de colocar los alimentos para completar la precongelación.

1. Para activar esta función, pulse el botón Mode hasta que aparezca el icono correspondiente.

El indicador Frostmatic parpadea.

2. Pulse la tecla OK para confirmar.

Aparece el indicador Frostmatic.

Esta función se detiene automáticamente después de 52 horas.

Puede desactivar la función Frostmatic antes de su finalización automática repitiendo el procedimiento hasta que se apaga el indicador Frostmatic o seleccionando una temperatura diferente.

4.10 DYNAMICAIR función

El compartimento frigorífico cuenta con un dispositivo que permite enfriar los alimentos con rapidez y mantiene una temperatura más uniforme dentro del compartimento.

Este dispositivo se activa automáticamente cuando es necesario o manualmente.

Para activar la función:

1. Pulse la tecla Mode hasta que aparezca el icono correspondiente. El indicador DYNAMICAIR parpadea.
2. Pulse la tecla OK para confirmar. Aparece el indicador DYNAMICAIR.

Para apagar la función, repita el procedimiento hasta que se apague el indicador DYNAMICAIR.



Si la función se activa automáticamente, no se muestra el indicador DYNAMICAIR (consulte la sección "DYNAMICAIR" en "Uso diario").

La activación de esta función DYNAMICAIR incrementa el consumo de energía.

El ventilador solo funciona con la puerta cerrada.

4.11 ChildLock función

Active la función ChildLock para bloquear las teclas y evitar manipulaciones involuntarias.

1. Pulse Mode hasta que aparezca el icono correspondiente.

El indicador ChildLock parpadea.

2. Pulse OK para confirmar.

Aparece el indicador ChildLock.

Para desactivar la función ChildLock, repita el procedimiento hasta que el indicador ChildLock se apague.

4.12 DrinksChill función

La función DrinksChill puede utilizarse para ajustar una alarma acústica a la hora deseada, algo útil por ejemplo para recetas en las que deben enfriarse los alimentos durante un tiempo determinado.

También resulta útil cuando se necesita un recordatorio para no olvidar que se han colocado botellas o latas en el congelador para que se enfríen rápidamente.

1. Pulse Mode hasta que aparezca el icono correspondiente.

El indicador DrinksChill parpadea.

El temporizador muestra el valor ajustado (30 minutos) durante unos segundos.

2. Pulse el regulador Temporizador para cambiar el ajuste del temporizador de 1 a 90 minutos.

3. Pulse OK para confirmar.

Aparece el indicador DrinksChill.

El temporizador empieza a parpadear (min).

Al terminar la cuenta atrás, el indicador "0 min" parpadea y suena una alarma. Pulse OK para apagar el sonido y finalizar la función.

Para apagar la función, repita el procedimiento hasta que se apague el indicador DrinksChill.

- i** El tiempo puede modificarse en cualquier momento durante la cuenta atrás y al finalizar, pulsando los botones de enfriamiento o calentamiento.

4.13 Alarma de temperatura alta

Cuando se produce un aumento de la temperatura en el compartimento congelador (por ejemplo, debido a un fallo de alimentación anterior), los indicadores de alarma y de temperatura del congelador parpadean y el sonido se activa.

Para desactivar la alarma:

1. Pulse cualquier botón. El sonido se desactiva.
2. El indicador de temperatura del congelador muestra la temperatura

más alta alcanzada durante unos segundos y después vuelve a mostrar la temperatura ajustada.

- i** El indicador de alarma sigue parpadeando hasta que se restablecen las condiciones normales. Si no se pulsa ningún botón, el sonido se apaga automáticamente después de aproximadamente una hora para evitar molestias.

4.14 Alarma de puerta abierta

Si la puerta del frigorífico se deja abierta durante aproximadamente 5 minutos, el sonido se activa y el indicador de alarma parpadea.

La alarma se detiene después de cerrar la puerta. Durante la alarma, el sonido se puede desactivar pulsando cualquier botón.

- i** Si no se pulsa ningún botón, el sonido se apaga automáticamente después de aproximadamente una hora para evitar molestias.

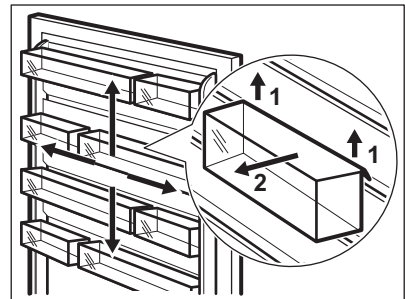
5. USO DIARIO

5.1 Colocación de los estantes de la puerta

La puerta de este aparato está equipada con guías para disponer los estantes/las bandejas de la puerta según prefiera.

Para recolocar los estantes/las bandejas de la puerta:

1. Levante gradualmente el estante/la bandeja en la dirección de las flechas hasta que se desenganche.
2. Coloque el estante/la bandeja en la posición que desee, introduciendo suavemente en la guía.



5.2 Estantes móviles

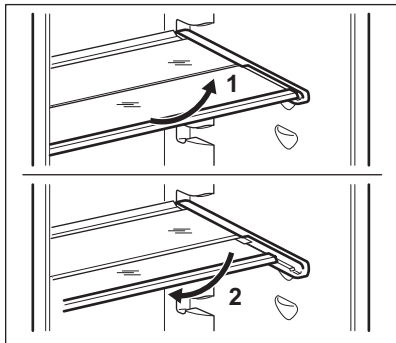
Las paredes del frigorífico cuentan con una serie de guías para colocar los estantes del modo que se prefiera.

Este aparato también está equipado con un estante que consta de dos partes. La mitad delantera del estante puede

colocarse bajo la segunda mitad para aprovechar mejor el espacio.

Para plegar el estante:

1. Saque la mitad delantera con cuidado.
2. Deslícela en la guía inferior bajo la segunda mitad.



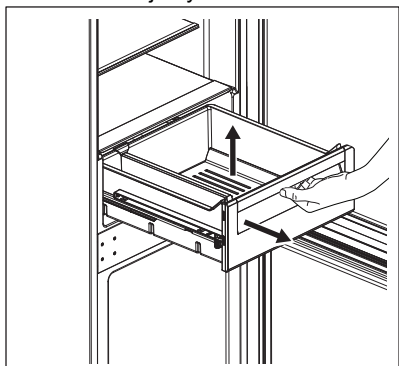
No coloque el estante de vidrio por encima del cajón de verduras para no impedir la correcta circulación del aire.

5.3 Cajón para verduras

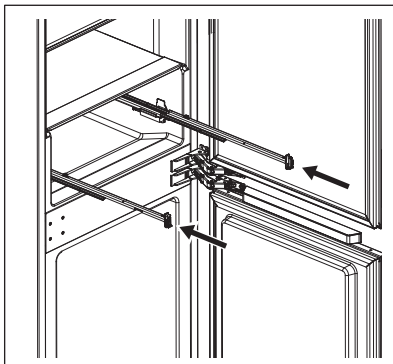
El cajón es adecuado para almacenar frutas y verduras.

Para retirar el cajón (p. ej., con fines de limpieza):

1. Tire del cajón y levántelo.

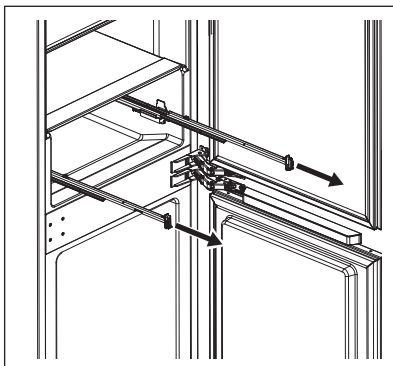


2. Empuje los rieles dentro del armario para evitar que se dañe el aparato al cerrar la puerta.

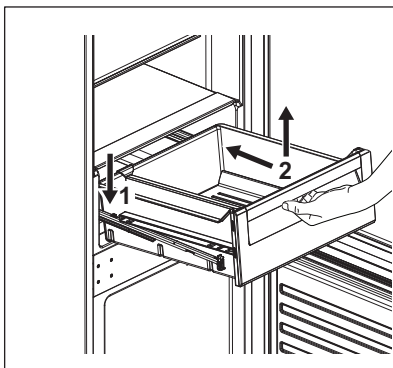


Para volver a montar:

1. Tire de los rieles.



2. Coloque la parte trasera del cajón (1) sobre los rieles.



3. Mantenga la parte delantera del cajón (2) levantada mientras empuja el cajón hacia dentro.
4. Presione la parte delantera del cajón hacia abajo.

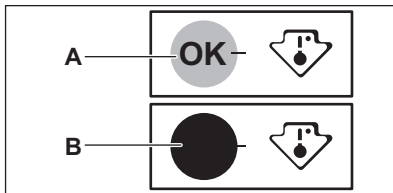
i Saque el cajón de nuevo y compruebe si está colocado correctamente en los ganchos traseros y delanteros.

5.4 Indicador de temperatura

Para almacenar correctamente los alimentos, el frigorífico dispone de indicador de temperatura. El símbolo en la pared lateral del aparato indica una zona más fría del frigorífico.

Si OK aparece (A), coloque los alimentos frescos en la zona indicada por el símbolo, si no lo hace (B), espere al menos 12 horas y compruebe si aparece OK (A).

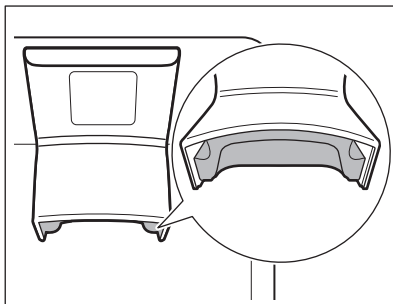
Si todavía no aparece OK (B), regule el ajuste a un valor más frío.



5.5 DYNAMICAIR

El compartimento frigorífico cuenta con un dispositivo que permite enfriar los alimentos con rapidez y mantiene una temperatura más uniforme dentro del compartimento.

! **ADVERTENCIA!**
No retire el poliestireno de la parte inferior del dispositivo.



Este dispositivo se activa automáticamente cuando es necesario.

También es posible encender el dispositivo manualmente si lo necesita (consulte «Función DYNAMICAIR»).

i El ventilador solo funciona con la puerta cerrada.

5.6 Congelación de alimentos frescos

El compartimento del congelador es adecuado para congelar alimentos frescos y conservar a largo plazo los alimentos congelados y ultracongelados.

Para congelar alimentos frescos, active la función Frostmatic al menos 24 horas antes de introducir los alimentos a congelar en el compartimento congelador.

Guarde los alimentos frescos distribuidos uniformemente en el primer compartimento o cajón desde la parte superior.

La cantidad máxima de alimentos que pueden congelarse sin añadir otros alimentos frescos durante 24 horas, se indica en la placa de datos técnicos (una etiqueta situada en el interior del aparato).

Cuando haya finalizado el proceso de congelación, el aparato vuelve automáticamente al ajuste de temperatura anterior (consulte "Función Frostmatic").

Para obtener más información, consulte "Sugerencias para congelar".

5.7 Almacenamiento de alimentos congelados

Al activar un aparato por primera vez o después de un periodo sin uso, déjelo en marcha al menos durante 3 horas antes de colocar productos en el compartimento con la función Frostmatic encendida.

Los cajones del congelador le aseguran una búsqueda rápida y fácil de los alimentos que desea encontrar.

Si se van a guardar cantidades grandes de alimentos, retire todos los cajones y coloque la comida en estantes.

Todos los alimentos deben estar como mínimo a 15 mm de la puerta.



PRECAUCIÓN!

En caso de que se produzca una descongelación accidental, por ejemplo, por un corte del suministro eléctrico, si la interrupción ha sido más prolongada que el valor indicado en la placa de características bajo el "tiempo de elevación", los alimentos descongelados se deben consumir rápidamente o cocinar de inmediato y luego volverse a congelar. Consulte "Alarma de temperatura alta".

6. CONSEJOS

6.1 Consejos para ahorrar energía

- Congelador: La configuración interna del aparato es la que garantiza el uso más eficiente de la energía.
- Frigorífico: Se garantiza el consumo más eficiente de energía en la configuración con los cajones en la parte inferior del aparato y los estantes distribuidos uniformemente. La posición de los contenedores de la puerta no afecta al consumo de energía.
- No abra la puerta con frecuencia ni la deje abierta más tiempo del necesario.
- Congelador: Cuanto más fría sea la temperatura ajustada, mayor será el consumo de energía.
- Frigorífico: No fije una temperatura demasiado alta para ahorrar energía, a menos que lo requieran las características del alimento.
- Si la temperatura ambiente es elevada y el control de temperatura se ajusta a baja temperatura y el aparato está totalmente cargado, el compresor puede funcionar de manera continua, provocando la

5.8 Descongelación

Los alimentos ultracongelados o congelados, antes de consumirlos, pueden descongelarse en el frigorífico o dentro de una bolsa de plástico bajo agua fría.

Esta operación depende del tiempo disponible y del tipo de alimento. Los trozos pequeños pueden incluso cocinarse aún congelados.

formación de escarcha o hielo en el evaporador. En tal caso, ajuste el control de temperatura hacia una temperatura más elevada para permitir la descongelación automática y ahorrar energía.


- Asegure una buena ventilación. No cubra las rejillas o los orificios de ventilación.
- Asegúrese de que los productos alimenticios dentro del aparato permitan la circulación de aire a través de los orificios dedicados al efecto en el interior trasero del aparato.

6.2 Sugerencias para congelar

- Active la función Frostmatic al menos 24 horas antes de introducir los alimentos en el compartimento congelador.
- Antes de congelar envuelva y selle los alimentos frescos en: papel de aluminio, film o bolsas de plástico, recipientes herméticos con tapa.
- Para congelar y descongelar con más eficacia, divida la comida en porciones pequeñas.

- Se recomienda poner etiquetas y fechas en todos sus alimentos congelados. Esto ayudará a identificar los alimentos y a saber cuándo deben utilizarse antes de su deterioro.
- Los alimentos deben ser frescos al congelarlos para preservar la buena calidad. Especialmente las frutas y verduras deben ser congeladas después de cosecharlos para preservar todos sus nutrientes.
- No congele las botellas o latas con líquidos, en particular las bebidas que contienen dióxido de carbono, ya que pueden explotar durante la congelación.
- No coloque alimentos calientes en el compartimiento del congelador. Enfríelos a temperatura ambiente antes de colocarlos dentro del compartimiento.
- Para evitar aumentos en la temperatura de comida ya congelada, no coloque comida no congelada justo al lado. Coloque los alimentos a temperatura ambiente en la parte del compartimiento del congelador donde no hay alimentos congelados.
- No coma cubitos de hielo, sorbetes o helados inmediatamente después de sacarlos del congelador. Existe riesgo de quemaduras.
- No vuelva a congelar los alimentos descongelados. Si la comida se ha descongelado, cocínala, enfríela y luego congélela.

6.3 Consejos para el almacenamiento de alimentos congelados

- El compartimiento congelador es el marcado con .
- Un buen ajuste de la temperatura que garantice la conservación de los

alimentos congelados es una temperatura inferior o igual a -18 °C. Una temperatura más alta en el interior del aparato puede reducir la vida útil.

- Todo el compartimiento congelador es adecuado para el almacenamiento de alimentos congelados.
- Deje suficiente espacio alrededor de los alimentos para permitir que el aire circule libremente.
- Para un almacenamiento adecuado, consulte la etiqueta de los envases de los alimentos para ver su vida útil.
- Es importante envolver los alimentos de tal manera que se evite que el agua, la humedad o la condensación entren en su interior.

6.4 Consejos de compra

Después de la compra:

- Asegúrese de que el envase no esté dañado - los alimentos podrían estar deteriorados. Si el paquete está hinchado o mojado, es posible que no se haya almacenado en condiciones óptimas y que la descongelación ya haya comenzado.
- Para limitar el proceso de descongelación, compre los productos congelados al final de su compra en el supermercado y téngalos en una bolsa térmica y aislada.
- Ponga los alimentos congelados inmediatamente en el congelador después de volver de la tienda.
- Si la comida se ha descongelado aunque sea parcialmente, no la vuelva a congelar. Se debe consumir lo antes posible.
- Respete la fecha de caducidad y la información de almacenamiento del paquete.

6.5 Vida útil en el congelador

Tipo de alimento	Vida útil (meses)
Pan	3
Frutas (excepto cítricos)	6 - 12

Tipo de alimento	Vida útil (meses)
Verduras	8 - 10
Sobras sin carne	1 - 2
Lácteos:	
Mantequilla	6 - 9
Queso blando (p. ej. mozzarella)	3 - 4
Queso duro (p. ej. parmesano, cheddar)	6
Marisco:	
Pescado graso (p. ej. salmón, caballa)	2 - 3
Pescado magro (p. ej. bacalao, platija)	4 - 6
Langostinos	12
Almejas y mejillones desconchados	3 - 4
Pescado cocinado	1 - 2
Carne:	
Aves	9 - 12
Vacuno	6 - 12
Cerdo	4 - 6
Cordero	6 - 9
Salchichas	1 - 2
Jamón	1 - 2
Sobras con carne	2 - 3


6.6 Consejos para refrigeración de alimentos frescos

- Un buen ajuste de temperatura que asegure la conservación de los alimentos frescos es una temperatura menor o igual a +4°C. Una temperatura más alta en el interior del aparato puede reducir la vida útil de los alimentos.
- Cubra el alimento con el envase para preservar su frescura y aroma.
- Utilice siempre recipientes cerrados para líquidos y para alimentos, para evitar sabores u olores en el compartimento.
- Para evitar la contaminación cruzada entre alimentos cocidos y crudos, cubra la comida cocinada y sepárela de la cruda.
- Se recomienda descongelar los alimentos dentro de la nevera.
- No coloque alimentos calientes dentro del aparato. Asegúrese de que se

hayan enfriado a temperatura ambiente antes de introducirlos.

- Para evitar el desperdicio de alimentos, los alimentos más recientes deben colocarse siempre detrás de los viejos.

6.7 Consejos para la refrigeración de alimentos

- El compartimento de alimentos frescos es el marcado (en la placa de características) con .
- Carne (cualquier variedad): guárdela en un envoltorio adecuado y colóquela en el estante de vidrio, sobre el cajón de las verduras. Almacene la carne durante un máximo de 1-2 días.
- Frutas y verduras: límpielas a fondo (elimine la suciedad) y colóquelas en un cajón especial (cajón para verduras).
- Es aconsejable no guardar en el frigorífico las frutas exóticas como plátanos, mangos, papayas, etc.

- Las verduras como tomates, patatas, cebollas y ajos no deben guardarse en el frigorífico.
- Queso y mantequilla: colóquelo en un recipiente hermético, o envuélvalo en papel de aluminio o en bolsas de polietileno para eliminar todo el aire posible.
- Botellas: ciérrelas con un tapón y colóquelas en el estante para botellas de la puerta o en el botellero (si dispone de él).
- Para acelerar el enfriamiento de los productos, se recomienda encender el ventilador. La activación de DYNAMICAIR permite una mayor homogeneización de las temperaturas internas.
- Consulte siempre la fecha de caducidad de los productos para saber cuánto tiempo debe conservarlos.

7. CUIDADO Y LIMPIEZA



ADVERTENCIA!

Consulte los capítulos sobre seguridad.

7.1 Limpieza del interior

Antes de utilizar el aparato por primera vez, lave el interior y todos los accesorios internos con agua templada y un jabón neutro para eliminar el típico olor de un producto nuevo y a continuación seque bien.



PRECAUCIÓN!

No utilice detergentes, polvos abrasivos ni limpiadores a base de cloro o aceite, ya que podrían dañar el acabado.



PRECAUCIÓN!

Los accesorios y las piezas del aparato no deben lavarse en lavavajillas.

7.2 Limpieza periódica

El equipo debe limpiarse de forma regular:

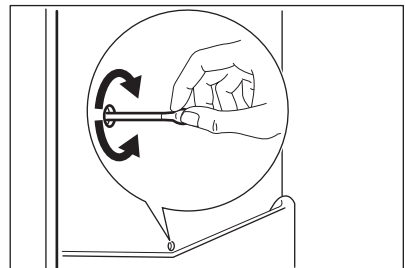
1. Limpie el interior y los accesorios con agua templada y un jabón neutro.
2. Revise y limpie periódicamente las juntas de la puerta para mantenerlas limpias y sin restos.
3. Aclare y seque a fondo.

7.3 Descongelación del frigorífico

La escarcha se elimina automáticamente del evaporador del compartimento frigorífico durante el uso normal. El agua de descongelación sale a través de un canal a un recipiente especial en la parte posterior del aparato, sobre el compresor del motor, donde se evapora.

Es importante limpiar, de forma periódica, el orificio de drenaje del agua de descongelación en el medio del canal del compartimento del frigorífico para evitar que el agua se desborde y gotee sobre los alimentos del interior.

Utilice para ello la varilla limpiadora incluida con el aparato.



7.4 Descongelación del congelador

El congelador no forma escarcha. Esto significa que, durante el funcionamiento, no se forma escarcha ni en las paredes internas del aparato ni sobre los alimentos.

7.5 Periodos sin funcionamiento

Si el aparato no se utiliza durante un tiempo prolongado, tome las siguientes precauciones

1. Desconecte el aparato del suministro eléctrico.

2. Retire todos los alimentos.
3. Limpie el aparato y todos los accesorios.
4. Deje las puertas abiertas para evitar olores desagradables.

8. SOLUCIÓN DE PROBLEMAS



ADVERTENCIA!


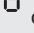

Consulte los capítulos sobre seguridad.

8.1 Qué hacer si...

Problema	Posible causa	Solución
El aparato no funciona.	El aparato está apagado.	Encienda el aparato.
	El enchufe no está bien conectado a la toma de corriente.	Conecte el aparato a la toma de corriente correctamente.
	No hay tensión en la toma de corriente.	Conecte un aparato diferente a la de corriente. Póngase en contacto con un electricista cualificado.
El aparato hace ruido.	El aparato no está bien apoyado.	Compruebe que los soportes del aparato están estables.
La alarma audible o visual está activada.	El armario se ha encendido hace poco.	Consulte "Alarma de temperatura alta" o "Alarma de puerta abierta".
	La temperatura del aparato es demasiado alta.	Consulte "Alarma de temperatura alta" o "Alarma de puerta abierta".
	La puerta se queda abierta.	Cierre la puerta.
El compresor funciona continuamente.	La temperatura se ha ajustado de manera incorrecta.	Consulte el capítulo "Panel de control".
	Se han introducido muchos alimentos al mismo tiempo.	Espere unas horas y vuelva a comprobar la temperatura.
	La temperatura ambiente es demasiado alta.	Consulte el capítulo "Instalación".

Problema	Posible causa	Solución
	Los alimentos introducidos en el aparato estaban demasiado calientes.	Deje que los alimentos se enfríen a temperatura ambiente antes de guardarlos.
	La puerta no está bien cerrada.	Consulte la sección "Cierre de la puerta".
	La función Frostmatic está activada.	Consulte la sección "Función Frostmatic".
	La función Coolmatic está activada.	Consulte la sección "Función Coolmatic".
El compresor no se pone en marcha inmediatamente después de pulsar "Frostmatic" o "Coolmatic", o tras cambiar la temperatura.	El compresor se pone en marcha al cabo de cierto tiempo.	Esto es normal, no se ha producido ningún error.
La puerta está mal alineada o interfiere con la rejilla de ventilación.	El aparato no está nivelado.	Consulte las instrucciones de instalación.
La puerta no se abre fácilmente.	Ha intentado volver a abrir la puerta inmediatamente después de cerrarla.	Espere unos segundos entre el cierre y la reapertura de la puerta.
La bombilla no funciona.	La bombilla está en modo de espera.	Cierre y abra la puerta.
	La bombilla es defectuosa.	Póngase en contacto con el servicio técnico autorizado más cercano.
Hay demasiada escarcha y hielo.	La puerta no está bien cerrada.	Consulte la sección "Cierre de la puerta".
	La junta de la puerta está sucia o deformada.	Consulte la sección "Cierre de la puerta".
	Los alimentos no están bien envueltos.	Envuelva mejor los productos.
	La temperatura se ha ajustado de manera incorrecta.	Consulte el capítulo "Panel de control".
	El aparato está completamente cargado y ajustado a la temperatura más baja.	Seleccione una temperatura más alta. Consulte el capítulo "Panel de control".
	La temperatura ajustada en el aparato es demasiado baja y la temperatura ambiente demasiado alta.	Seleccione una temperatura más alta. Consulte el capítulo "Panel de control".

Problema	Posible causa	Solución
El agua fluye por la placa posterior del frigorífico.	Durante el proceso de descongelación automática, la escarcha se derrite en la placa posterior.	Es correcto.
Hay demasiada agua de condensación en la pared posterior del frigorífico.	La puerta se abre con demasiada frecuencia.	Abra la puerta solo cuando sea necesario.
	La puerta no se cierra completamente.	Asegúrese de que la puerta está cerrada completamente.
	Los alimentos guardados no están envueltos correctamente.	Envuelva los alimentos correctamente antes de guardarlos en el aparato.
El agua fluye por el interior del frigorífico.	Los productos impiden que el agua fluya al colector de agua.	Asegúrese de que los alimentos no tocan la placa posterior.
	La salida de agua está obstruida.	Limpie la salida de agua.
El agua fluye por el suelo.	La salida de agua de descongelación no está conectada a la bandeja de evaporación situada sobre el compresor.	Acople la salida de agua de descongelación a la bandeja de evaporación.
No se puede ajustar la temperatura.	La función Frostmatic o la función Coolmatic está activada.	Apague manualmente la función Frostmatic o la función Coolmatic, o espere hasta que la función se desactive automáticamente antes de ajustar la temperatura. Consulte la sección "Función Frostmatic" o "Función Coolmatic".
La temperatura del aparato es demasiado baja/alta.	La temperatura no se ha ajustado correctamente.	Seleccione una temperatura más alta/más baja.
	La puerta no está bien cerrada.	Consulte la sección "Cierre de la puerta".
	La temperatura de los productos es demasiado alta.	Deje que la temperatura de los alimentos descienda a la temperatura ambiente antes de guardarlos.
	Se han guardado muchos alimentos al mismo tiempo.	Guarde menos alimentos al mismo tiempo.

Problema	Posible causa	Solución
	La puerta se ha abierto con frecuencia.	Abra la puerta sólo si es necesario.
	La función Frostmatic está activada.	Consulte la sección "Función Frostmatic".
	La función Coolmatic está activada.	Consulte la sección "Función Coolmatic".
	No hay circulación de aire frío en el aparato.	Asegúrese de que el aire frío circula libremente en el aparato. Consulte el capítulo "Consejos".
DEMO aparece en la pantalla.	El aparato está en el modo de demostración.	Para salir del modo de demostración, mantenga pulsado el botón OK durante unos 10 segundos hasta oír un sonido largo y la pantalla se apague durante un breve periodo de tiempo.
Se muestra un símbolo  ,  o  en lugar de números en la pantalla de temperatura.	Problema del sensor de temperatura.	Póngase en contacto con el servicio técnico autorizado más cercano. El sistema de refrigeración seguirá manteniendo fríos los alimentos, pero no podrá ajustar la temperatura.



Si el consejo anterior no ofrece resultados, llame al servicio técnico autorizado más cercano.

8.2 Cambio de la bombilla

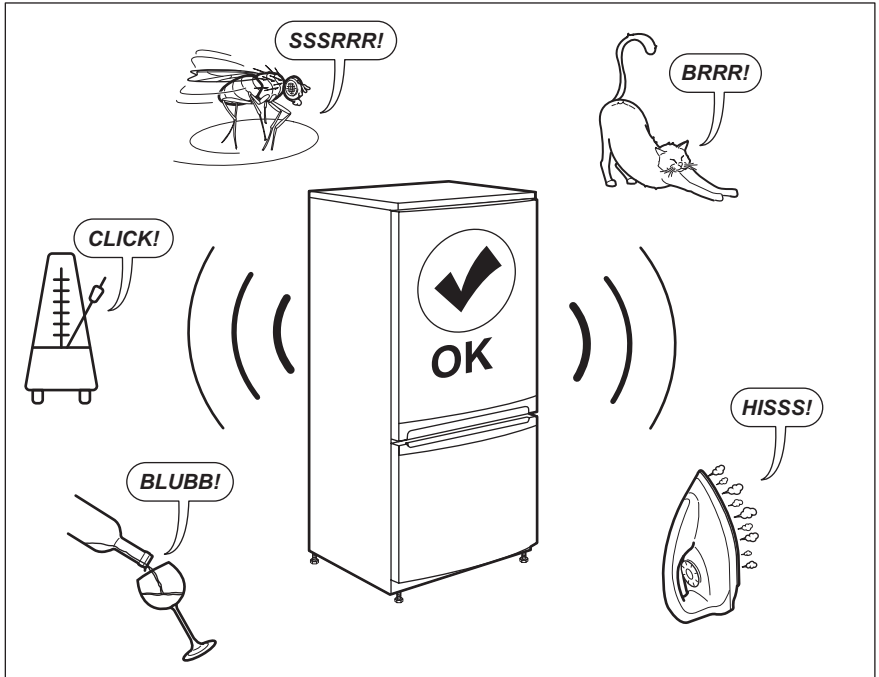
El aparato está equipado con una luz LED interior de larga duración.

Solo se permite al servicio técnico sustituir el dispositivo de luz. Póngase en contacto con el centro de servicio técnico autorizado.

8.3 Cierre de la puerta

1. Limpie las juntas de la puerta.
2. Si es necesario, ajuste la puerta. Consulte las instrucciones de instalación.
3. Si es necesario, cambie las juntas defectuosas de la puerta. Póngase en contacto con el servicio técnico autorizado.

9. RUIDOS



10. DATOS TÉCNICOS

La información técnica se encuentra en la placa de datos técnicos situada en el interior del aparato y en la etiqueta de consumo energético.

El código QR de la etiqueta energética suministrada con el aparato proporciona un enlace web a la información relacionada con el rendimiento del aparato en la base de datos EPREL de la UE. Guarde la etiqueta energética como referencia junto con el manual de usuario y todos los demás documentos que se proporcionan con este aparato.

También puede encontrar la misma información en EPREL accediendo desde el enlace <https://eprel.ec.europa.eu> e introduciendo el nombre del modelo y el número de producto que se encuentran en la placa de datos técnicos del aparato.

Consulte el enlace www.theenergylabel.eu para obtener información detallada sobre la etiqueta energética.


11. INFORMACIÓN PARA INSTITUTOS DE PRUEBAS


La instalación y la preparación del aparato para cualquier verificación de EcoDesign deberá cumplir con EN 62552 (EU). Los requisitos de ventilación, las dimensiones de los

huecos y las separaciones mínimas traseras serán los indicados en este manual de usuario en "Instalación". Por favor, póngase en contacto con el fabricante para cualquier otra

información adicional, incluyendo los planos de carga.

12. ASPECTOS MEDIOAMBIENTALES

Recicle los materiales con el símbolo . Coloque el material de embalaje en los contenedores adecuados para su reciclaje. Ayude a proteger el medio ambiente y la salud pública, así como a reciclar residuos de aparatos eléctricos y electrónicos. No deseche los aparatos

marcados con el símbolo  junto con los residuos domésticos. Lleve el producto a su centro de reciclaje local o póngase en contacto con su oficina municipal.

www.aeg.com/shop



222382567-A-082024



AEG